

Rigid Kitchen Unit Carcass Specifications

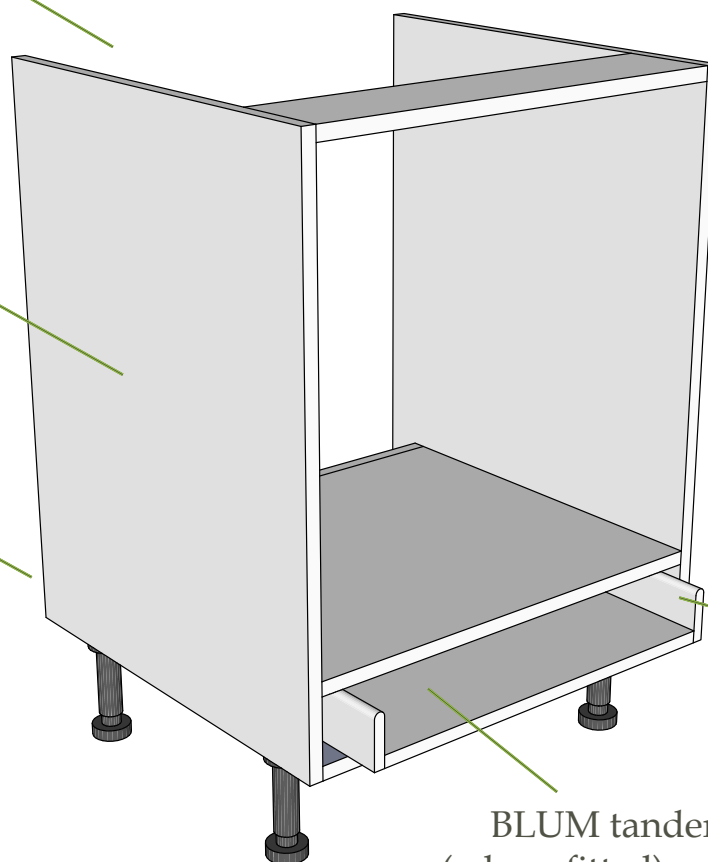
Built Under Oven Housings

No back behind appliance.

Units are 18mm thick colour coordinated Egger board.

50mm service void.

Supplied with 150mm plastic adjustable legs (minimum 125mm to maximum 170mm) and plinth clips.



PVC edged all round.

Attachment clips included for units with 115mm filler panels

BLUM tandem drawer box system (where fitted) with soft close runners, steel sides and 16mm MFC base and back. Drawers are 450mm deep and have a weight capacity of 30kg.

Units are supplied rigid for durability and easy installation, if you require a unit supplied flatpack please specify in the extra information box.