

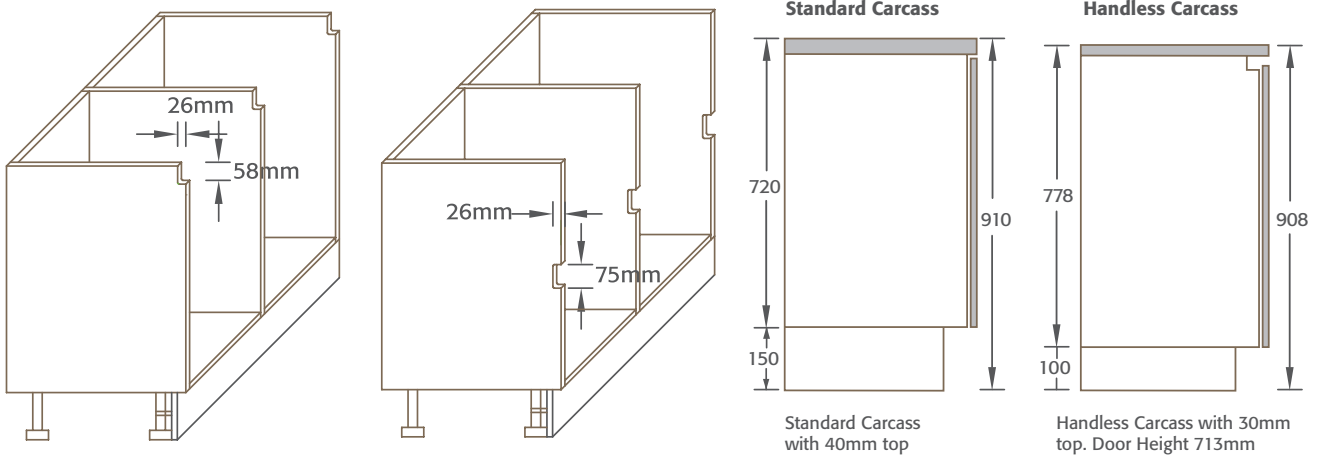
Guide to Fitting Handle-less Rail

Handle-less Rail

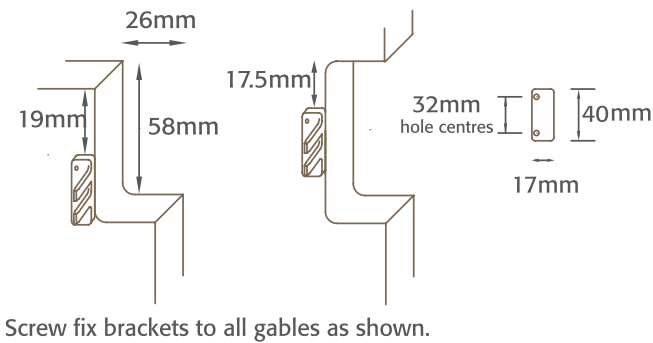
This rail is designed to be fitted to carcass to give a clean, modern, flush look.

Step 1 - Preparing Carcass

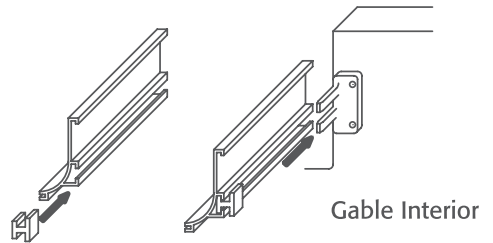
If using plant-on end panels, cut out all carcass gables as shown. If using carcass gable as end panels do not cut out outer carcass gables to allow rails to butt into.



Step 2 - Fixing Rail Brackets



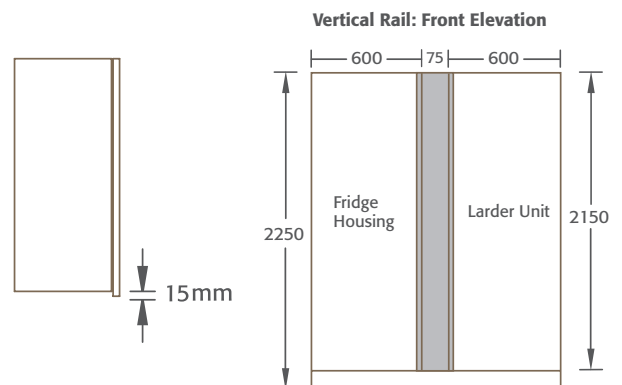
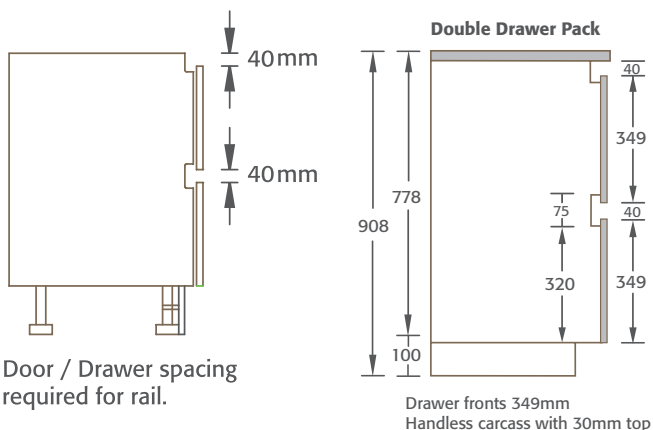
Step 3 - Cut & Fix Rail



Cut rails to overall length of units if using plant-on end panels. If using carcass gables as end panels reduce size of rail by gable thickness.

Slot connectors onto rails.
Position onto carcass and secure connectors onto brackets.

Door / Drawer Dimensions



Options for fitting high level door units when using handle-less rail on base units.

- order and fit doors with a 15mm overhang.
- or use standard fit doors with spring catches.