

Guide to Fitting Multi-Purpose Rail & Radius Rail

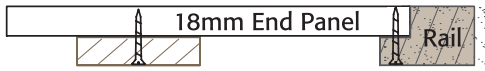


Multi-Purpose Rail

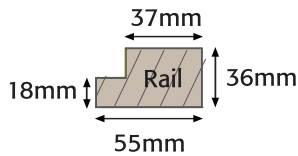
Can be used in various applications including Cornice, Pelmet, Gable Ends, Pilasters and to Box Around a Group of Units.

Gable End Fitting

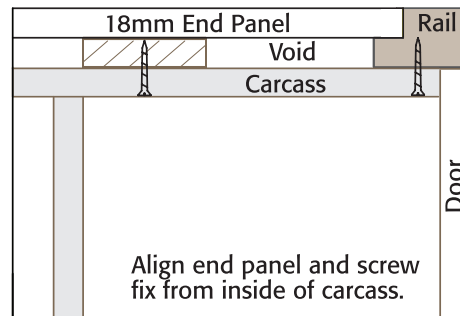
Step 1 - Assemble End Panel & Rail



Screw fix 36mm rail and fillet to end panel.



Step 2 - Fix to Carcass



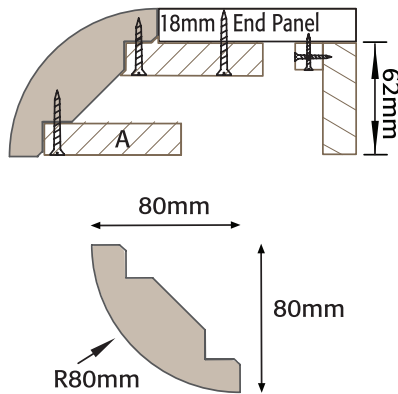
Align end panel and screw fix from inside of carcass.

Radius Rail

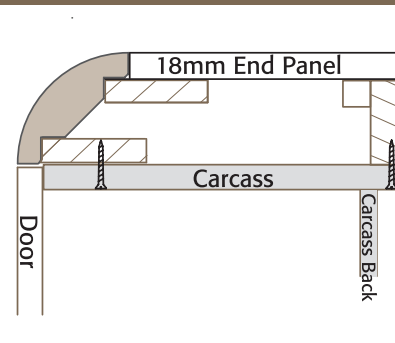
Can be used in various applications including Cornice, Gable Ends and Pilasters etc. Note: when using on base units as gable ends, ensure the fillet facing the carcass is matching as this will be visible next to the plinth. (See step 1, Note A)

Gable End Fitting

Step 1 - Assemble End Panel & Rail



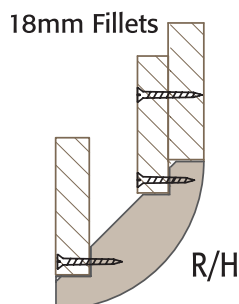
Step 2 - Fix to Carcass



Radius Rail

Stepped Unit Fitting

Step 1 - Fix 18mm Fillets to Rail



Step 2 - Fit to Carcass

