

Rigid Kitchen Unit Carcass Specifications

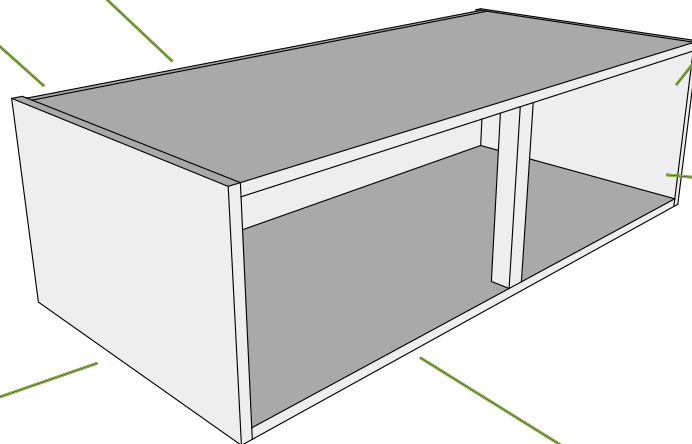
Overhousings

Each unit can be supplied with the appropriate BLUM clip on hinges and soft close attachments which can be added in hinges and fittings options.

18mm solid back.

50mm service void.

Units are 18mm thick colour coordinated Egger board.



Use door hinge drilling options for door hanging.

PVC edged all round.

Units are supplied rigid for durability and easy installation, if you require a unit supplied flatpack please specify in the extra information box.