

# Technical Drawings

  
**larkandlarks.co.uk**

**online kitchen & bedroom store**

See website for details. Help line: 0845 017 6480



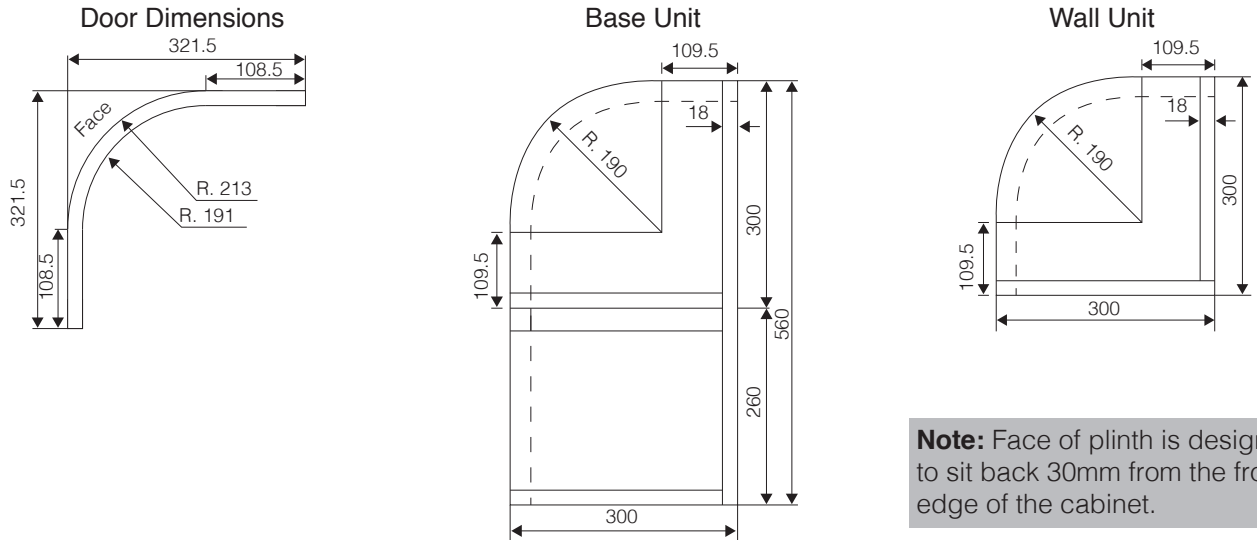
Aconbury	200-203
Allestree Beaded	204
Baystone In-Frame	206-209
Bowfell	210-211
Cosdon	212-215
Eastdon Shaker	216
Eildon In-Frame	218
Farringdon	220-221
Haddington	222-223
Halton	224-225
Hameldown	226
Hartside	228
Rivington	230
Torberry	232-235
Welford	236-242

# ACONBURY

SEE PAGES 88-91 & 144-147 FOR PRICES

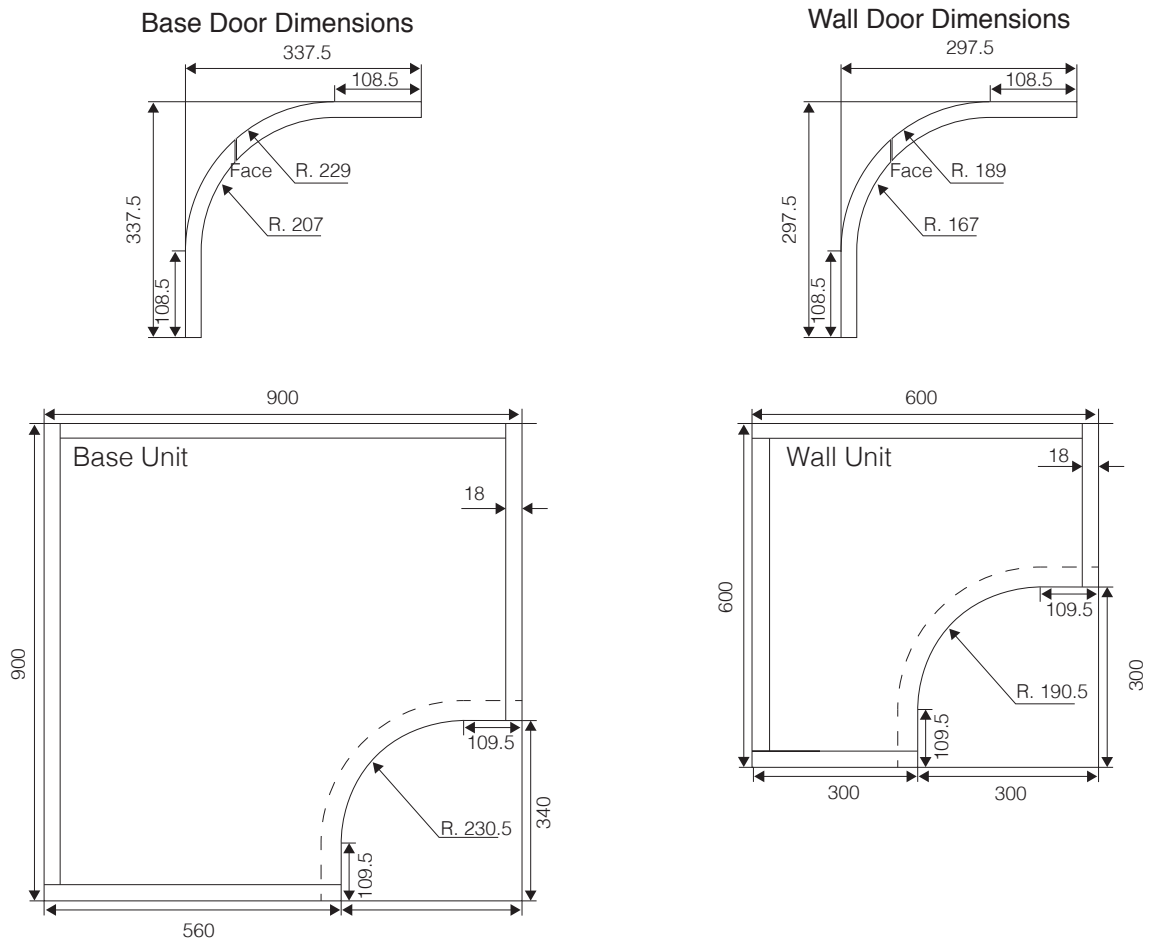
## Convex Curved Door

External curved door to suit base and wall units



## Concave Curved Doors

Internal curved doors are sold as a pair; left-hand & right-hand. This design enables the handle to run uninterrupted throughout the curved section.

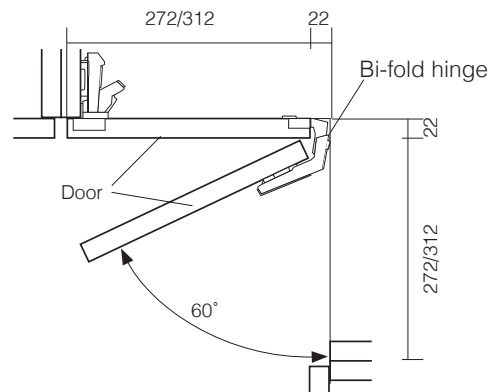
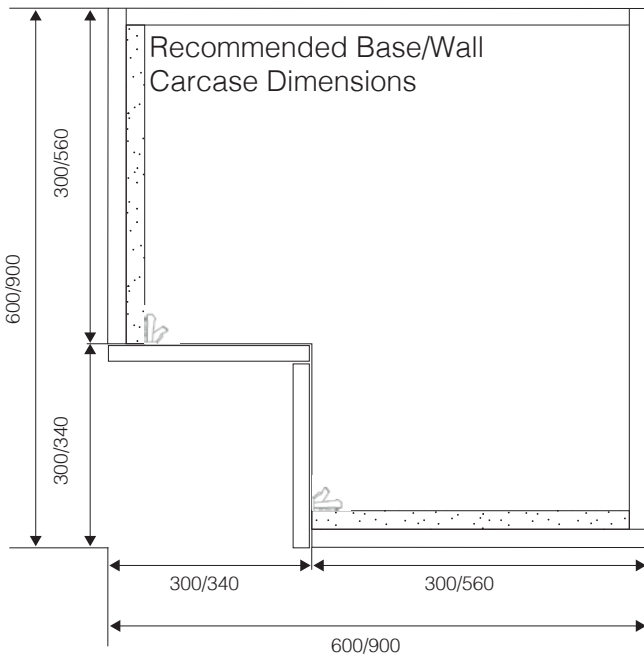
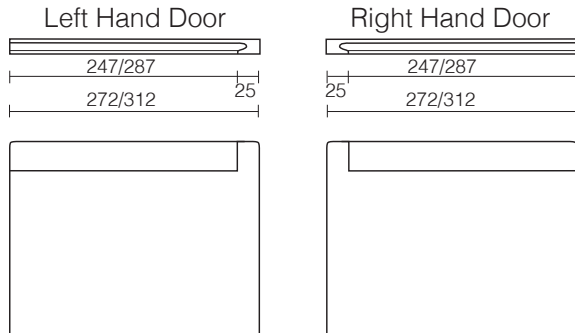


# ACONBURY

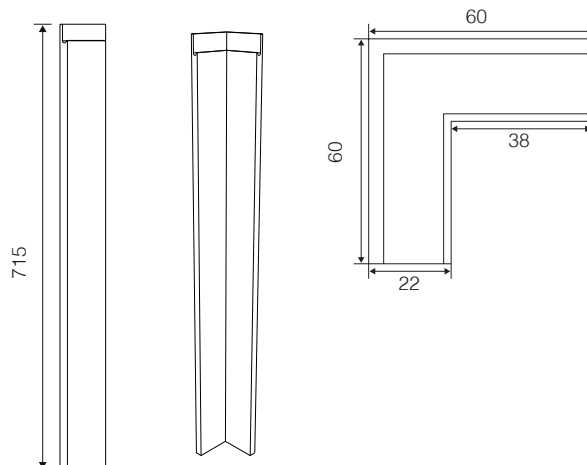
SEE PAGES 88-91 & 144-147 FOR PRICES

## Corner Door Sets

Doors are sold as a complete set, not separately.



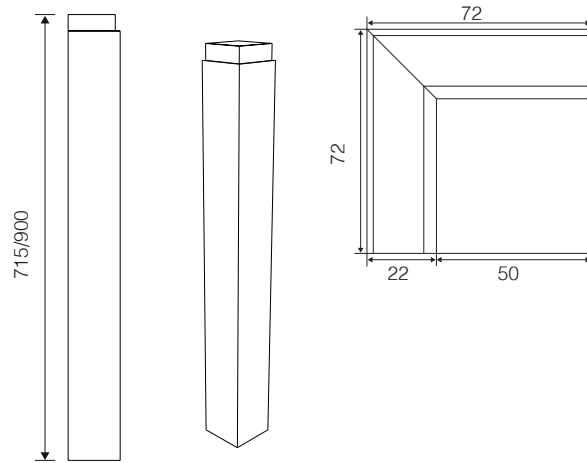
## Internal Corner Post



# ACONBURY

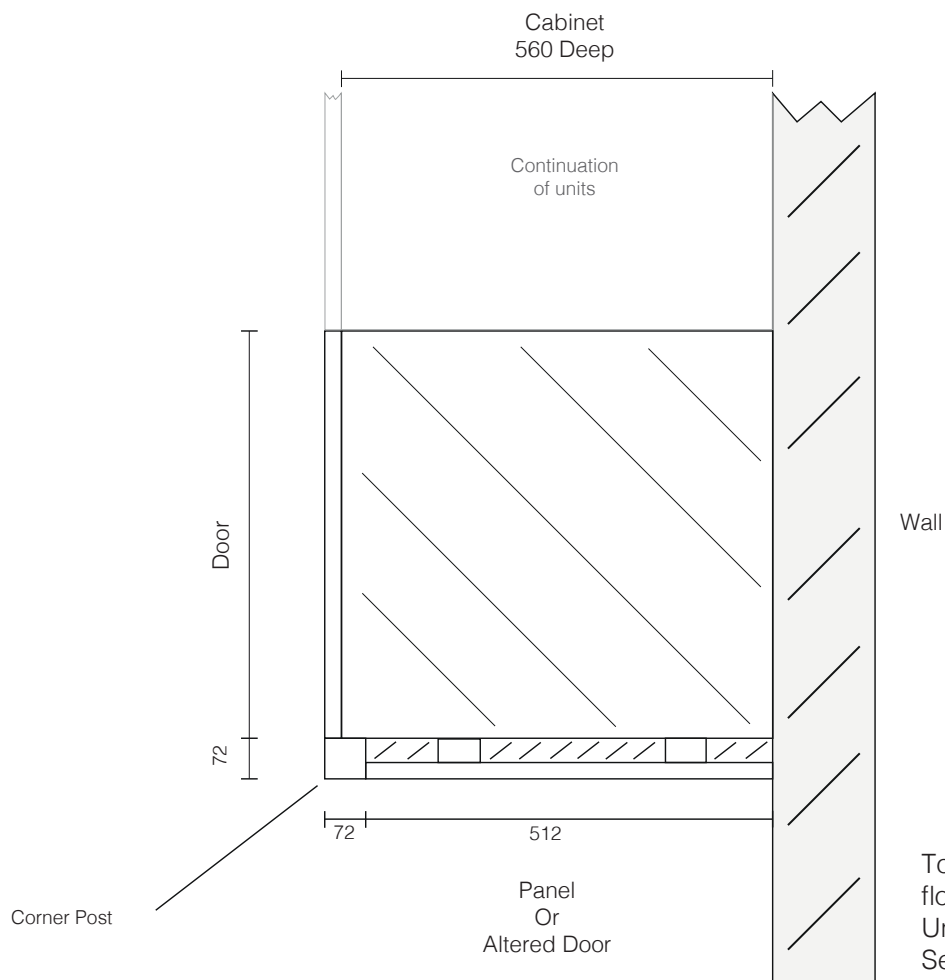
SEE PAGES 88-91 & 144-147 FOR PRICES

## External Corner Posts



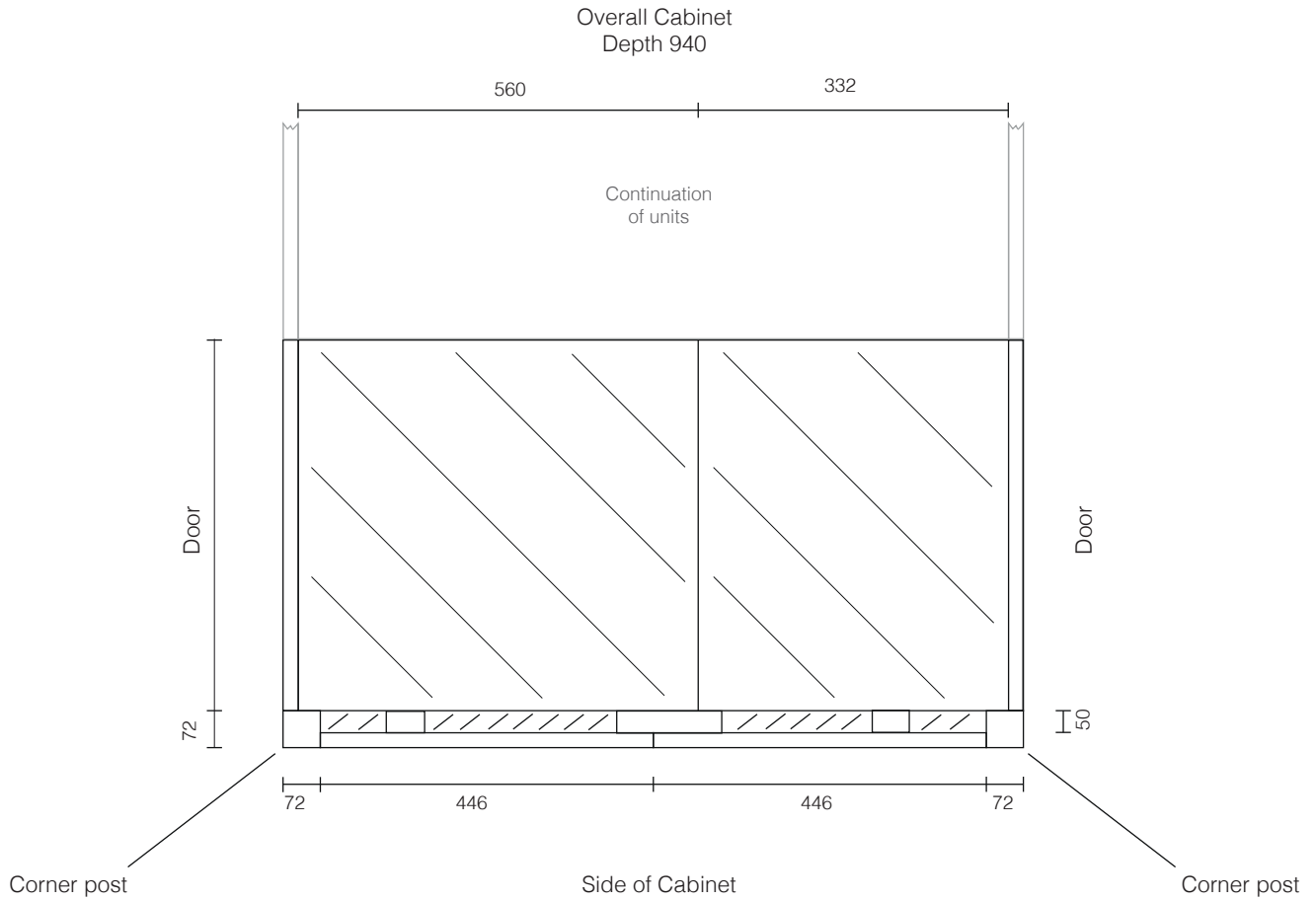
## External Corner Post - Base Unit

See page 203 for island application guide



## External Corner Post - Island

See page 202 for base unit application guide



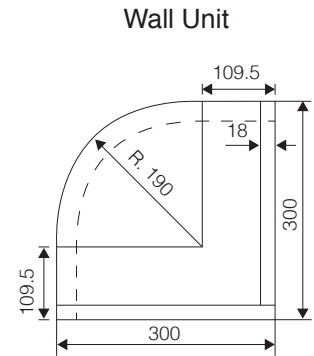
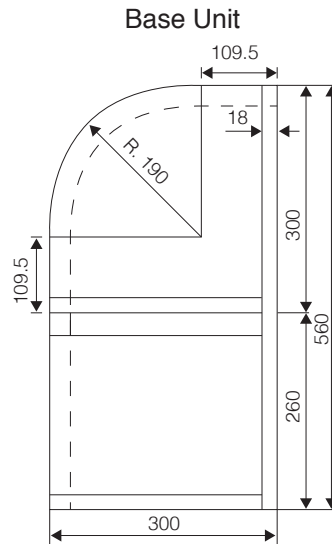
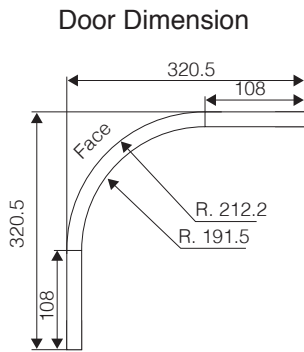
To achieve the continued flow of plinth, use the Universal Plinth Connector. See page 77.

# ALLESTREE BEADED

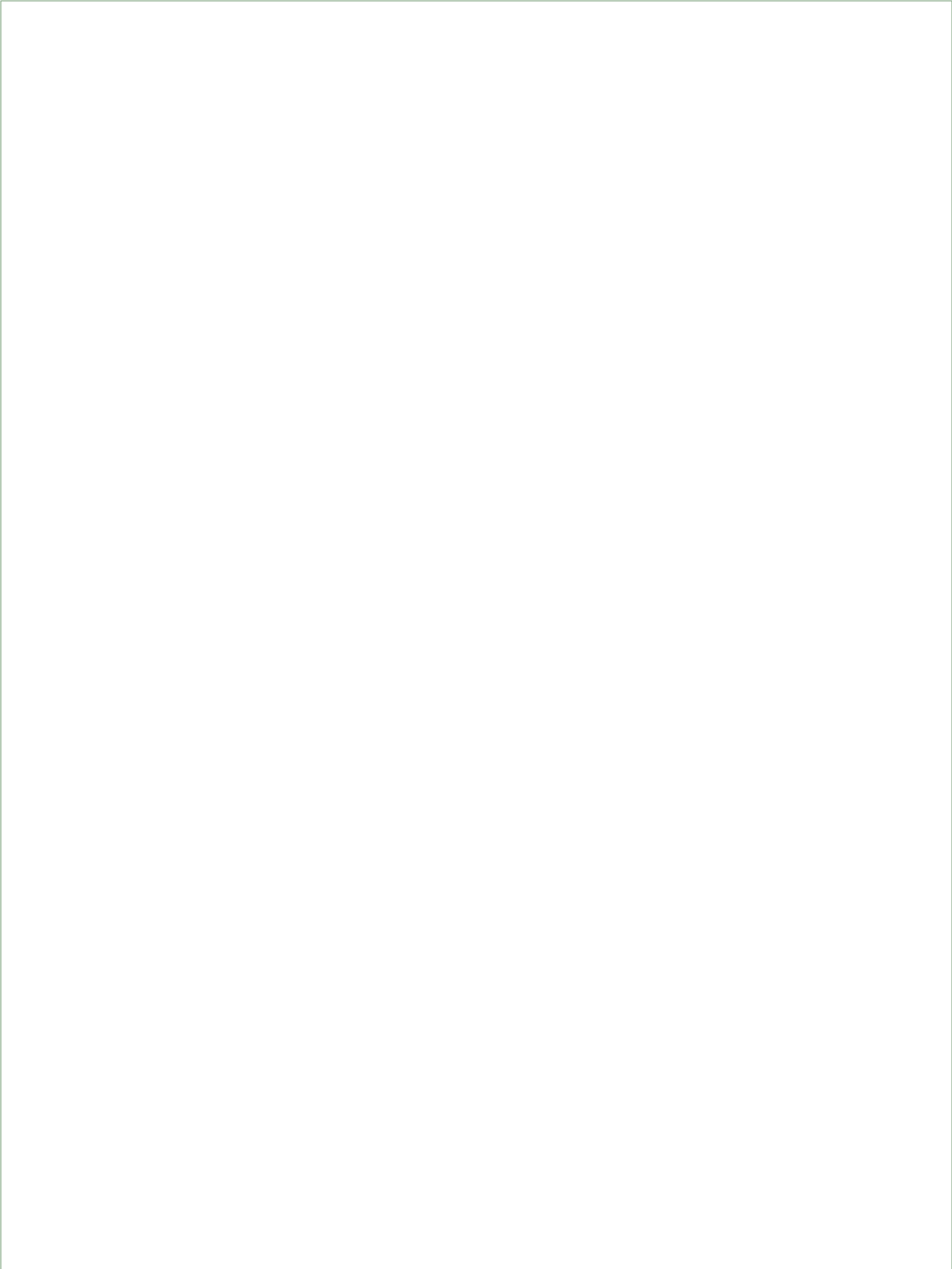
SEE PAGES 92-95 & 148-149 FOR PRICES

## Convex Curved Door

External curved door to suit base and wall units



**Note:** Face of plinth is designed to sit back 40mm from the front edge of the cabinet.



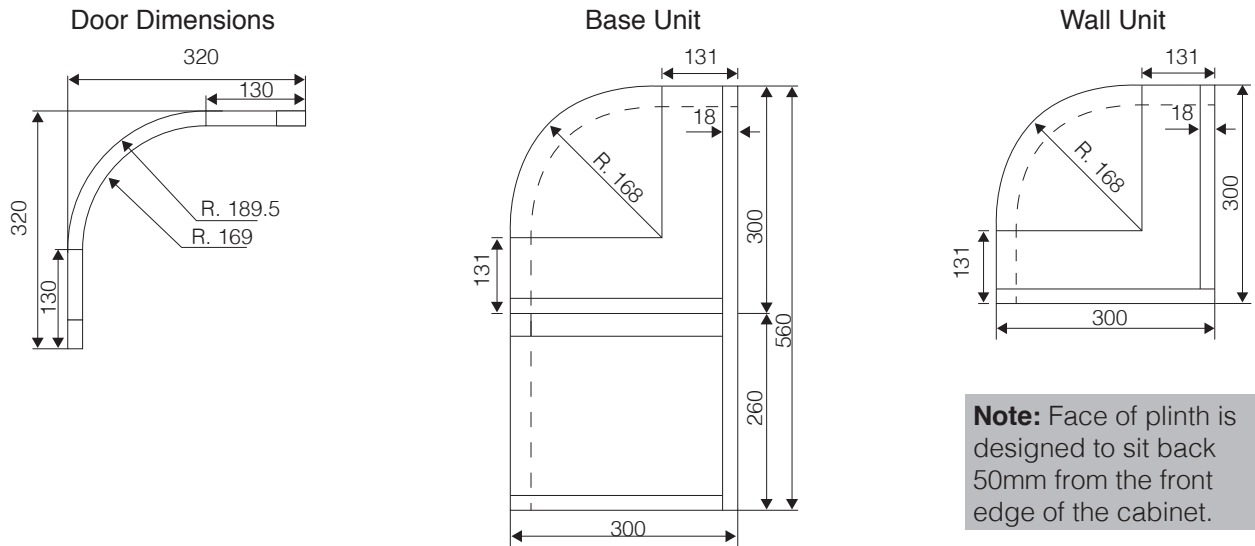


# BAYSTONE IN-FRAME

SEE PAGES 96-99 & 150-153 FOR PRICES

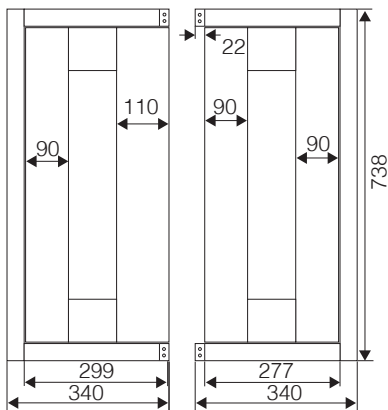
## Convex Curved Door

External curved door to suit base and wall unit

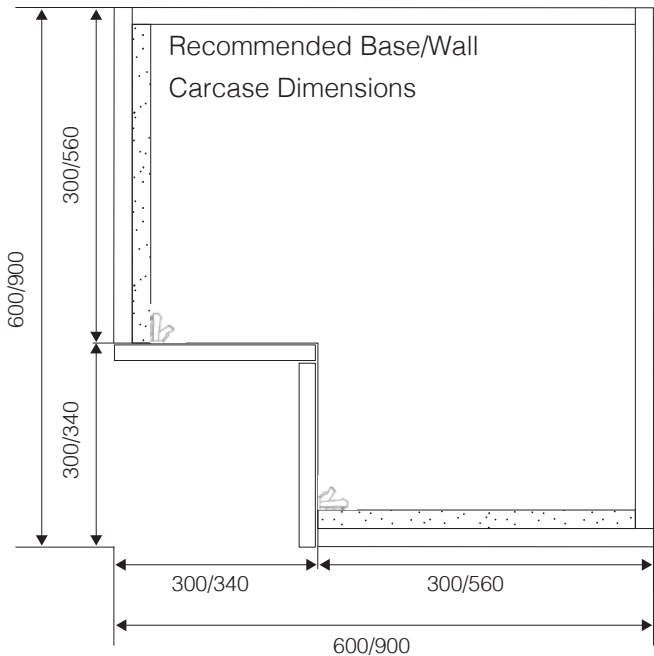
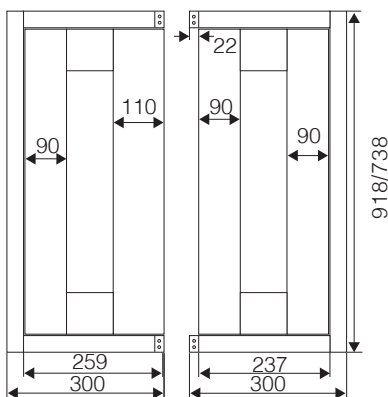


## Corner Sets

### Base Corner Set 738 x 340



### Wall Corner Set 918/738 x 300



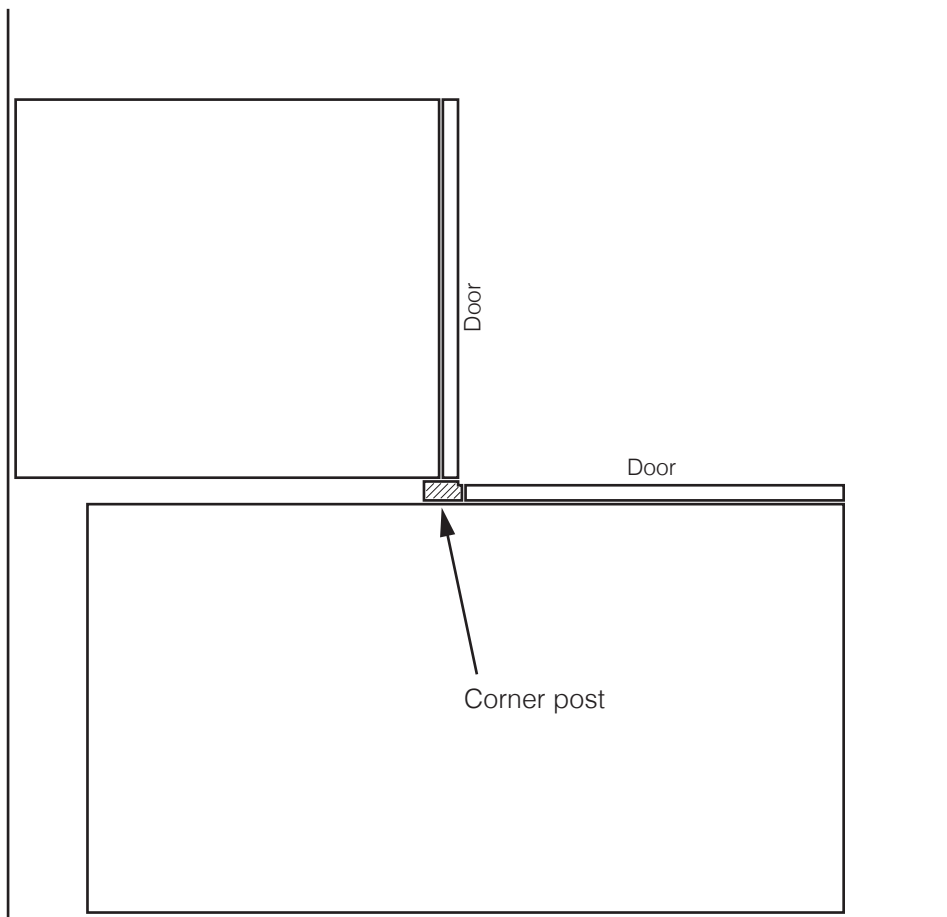
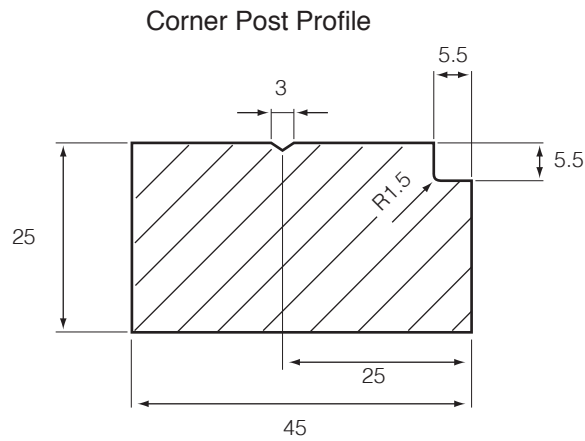
**Note:** Doors are not suitable for a bi-folding hinge and must be hinged to cabinet separately.

# BAYSTONE IN-FRAME

SEE PAGES 96-99 & 150-153 FOR PRICES

## Internal Corner Post

Corner post can be cut down to suit base and wall unit.  
Corner Post Dimensions: 919H x 45W x 25D

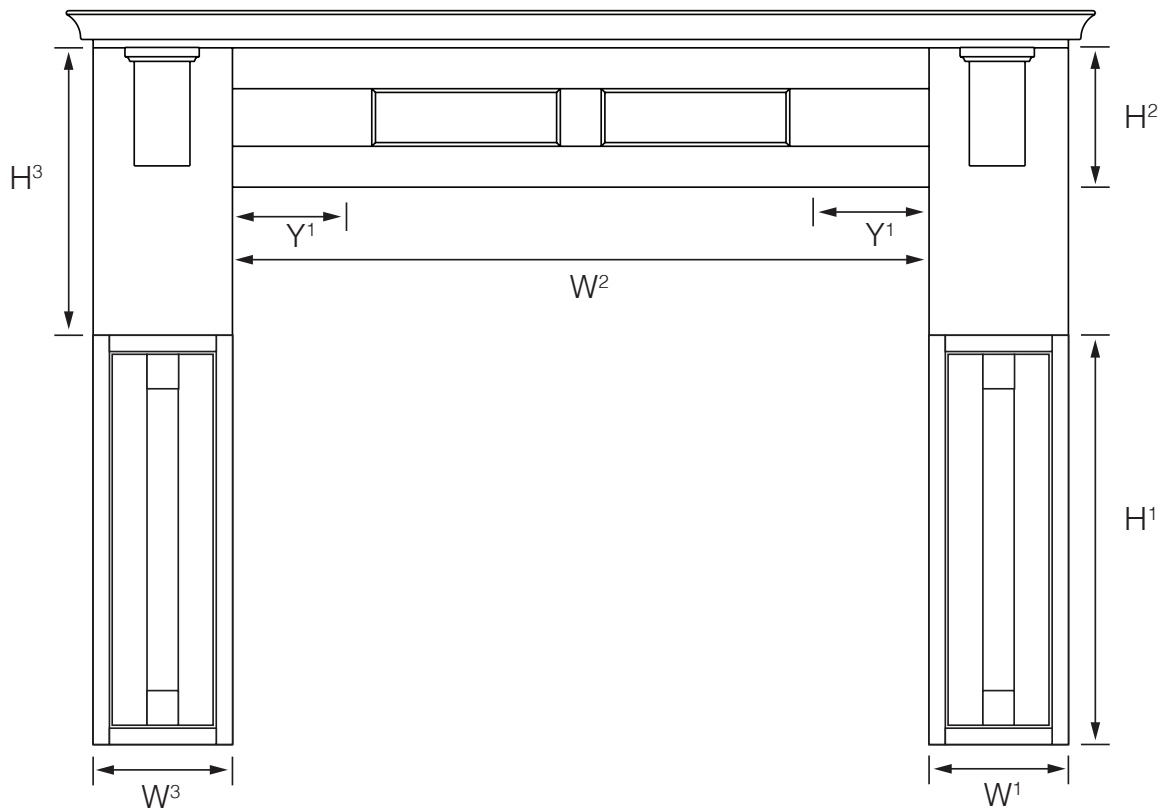


# BAYSTONE IN-FRAME

SEE PAGES 96-99 & 150-153 FOR PRICES

## Working Mantle Set

The working over mantle requires two tall 918 doors to enable the mantle to be used for storage space as well as a decorative feature.



DOOR

SIZE	
$H^1$	$W^1$
918	300

TOP PANEL

SIZE		TRIMMING AREA
$H^2$	$W^2$	$Y^1$
300	1500	210

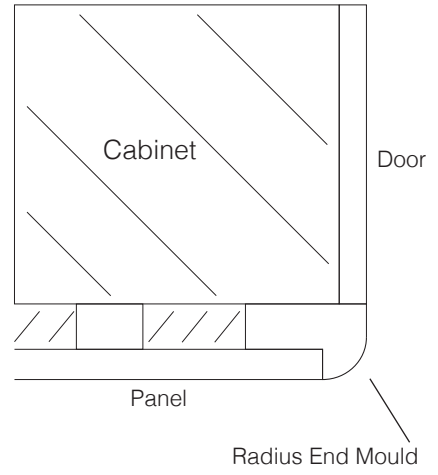
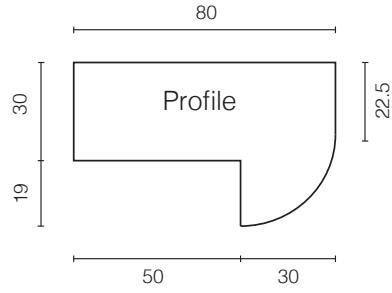
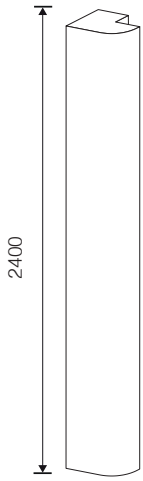
CORBEL PANEL

SIZE	
$H^3$	$W^3$
600	300

# BAYSTONE IN-FRAME

SEE PAGES 96-99 & 150-153 FOR PRICES

## Radius End Mould

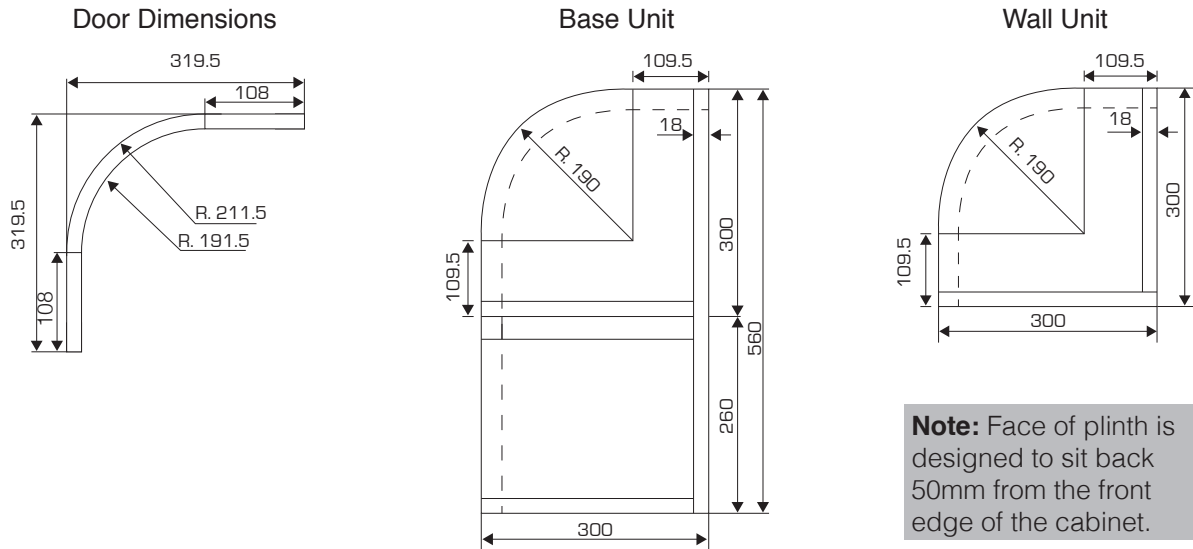


# BOWFELL

SEE PAGES 100-103 & 154-155 FOR PRICES

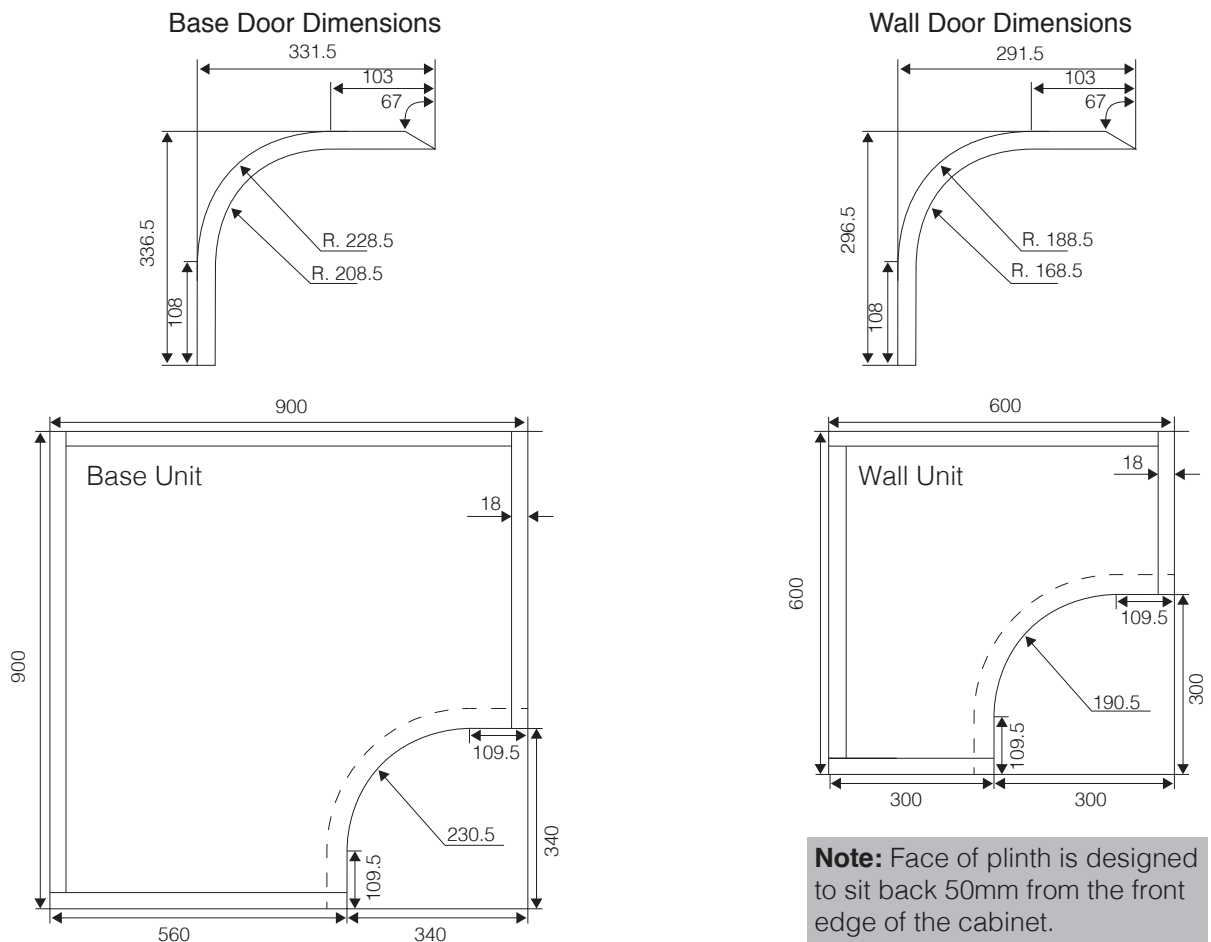
## Convex Curved Doors

External curved door to suit base and wall units.  
Available in the following heights: 715, 897 and 1210 - whilst stocks last.



## Concave Curved Doors

Internal curved door

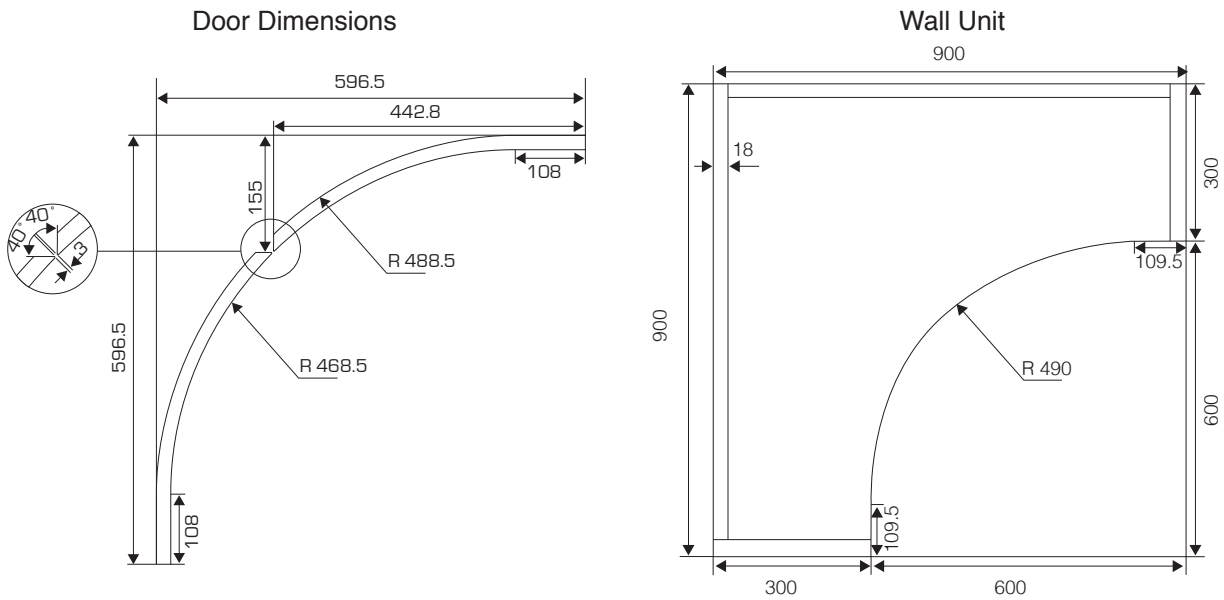


# BOWFELL

SEE PAGES 100-103 & 154-155 FOR PRICES

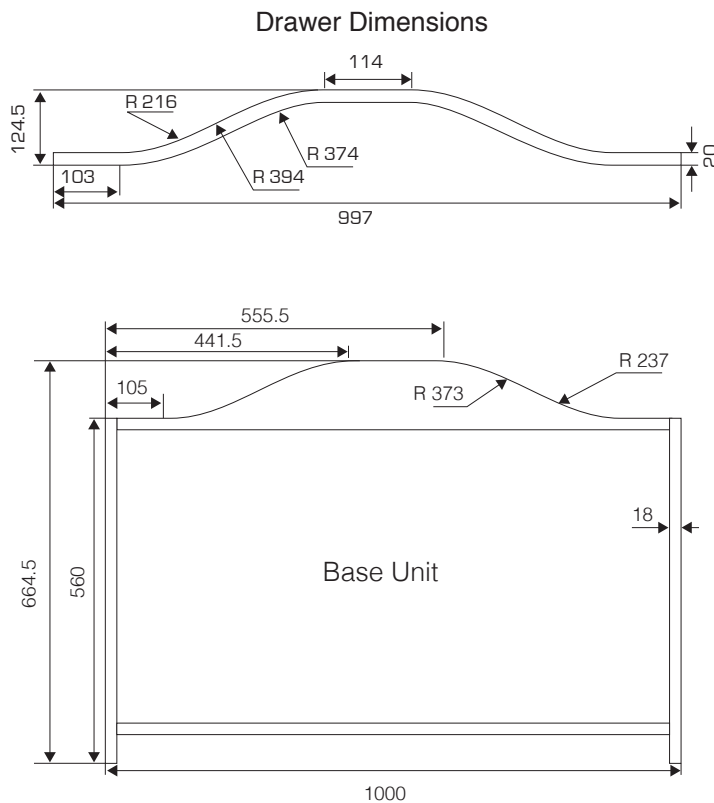
## Concave Dresser Doors

Internal curved dresser doors - sold as a pair.



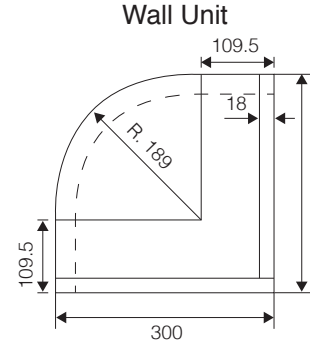
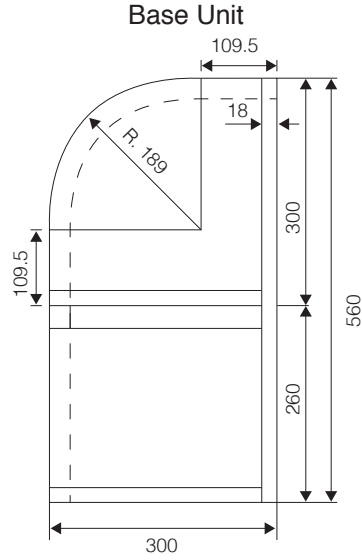
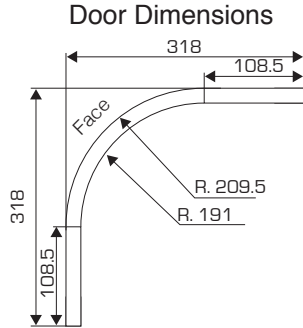
## S-shaped Pan Drawers

Drawers sold separately, not as a set.



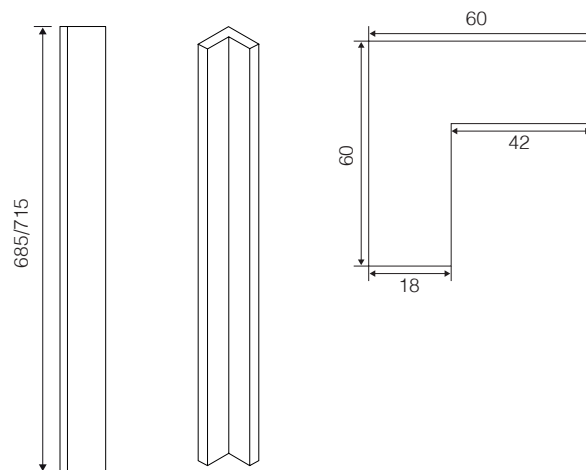
**Note:** Face of plinth is designed to sit back 50mm from the front edge of the cabinet.

## Convex Curved Door

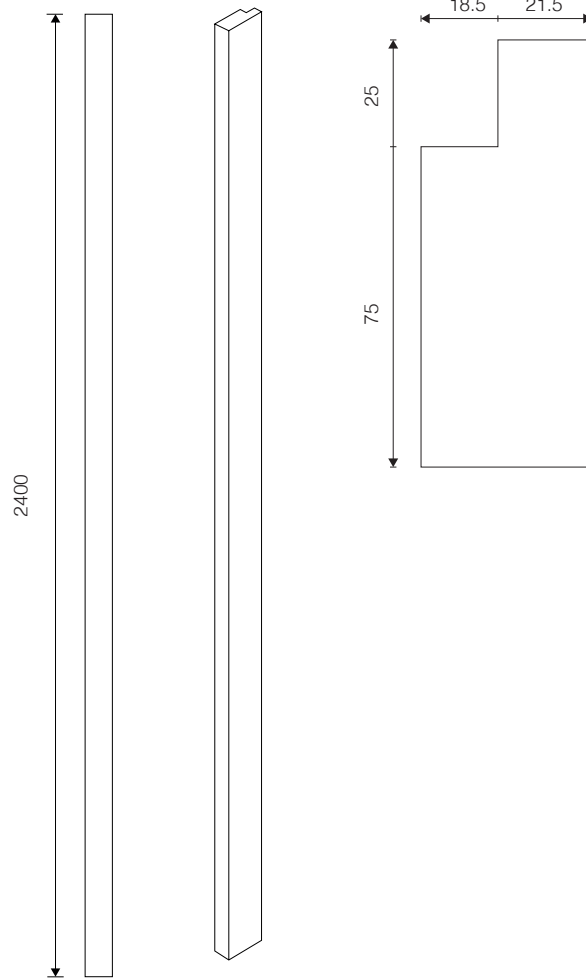


**Note:** Face of plinth is designed to sit back 50mm from the front edge of the cabinet

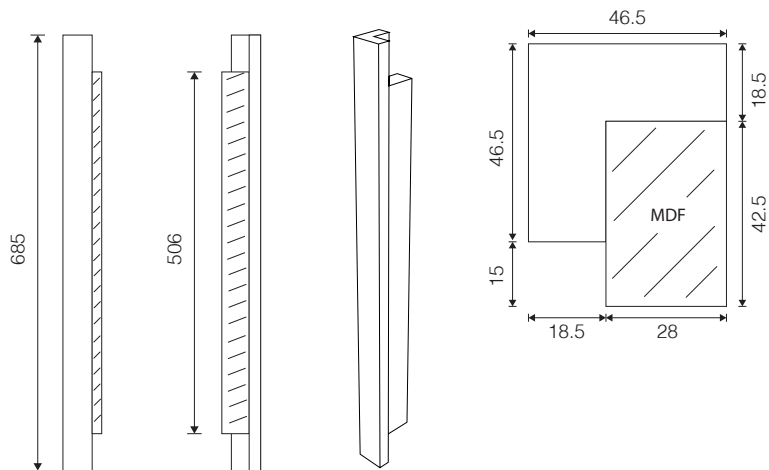
## Internal Corner Post



## Tall Corner Posts



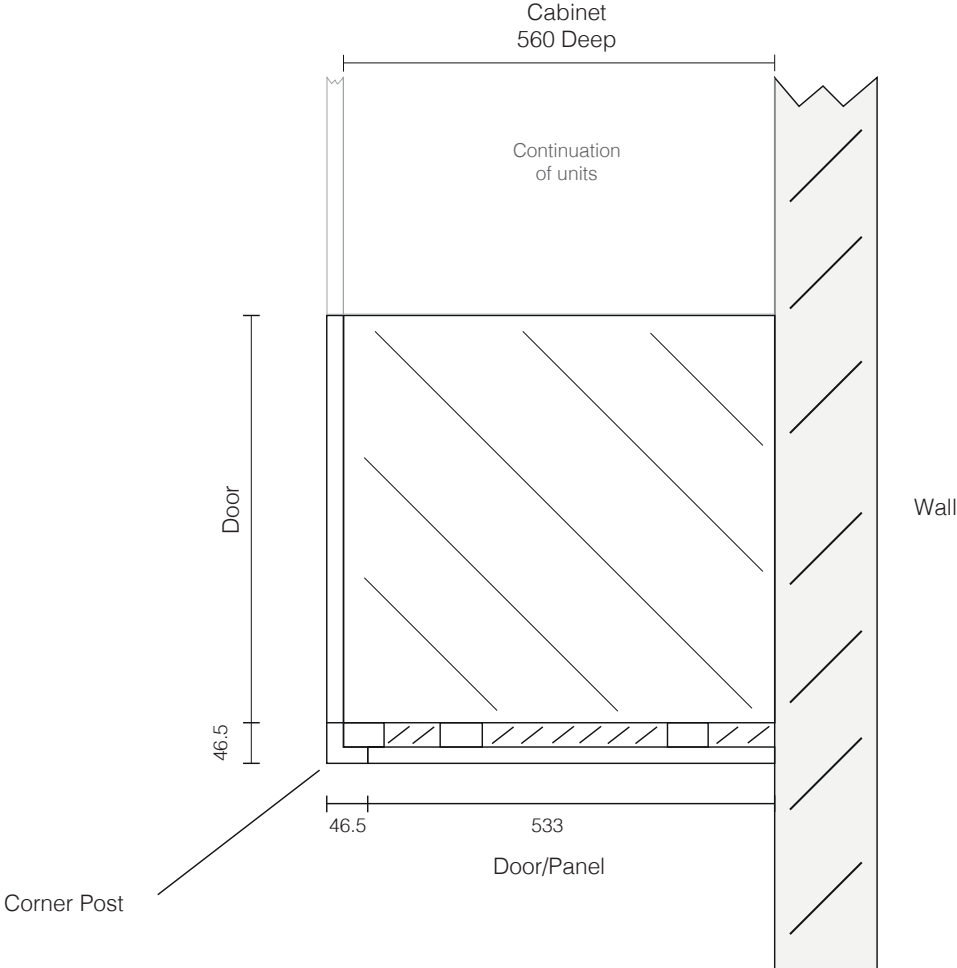
## External Corner Post





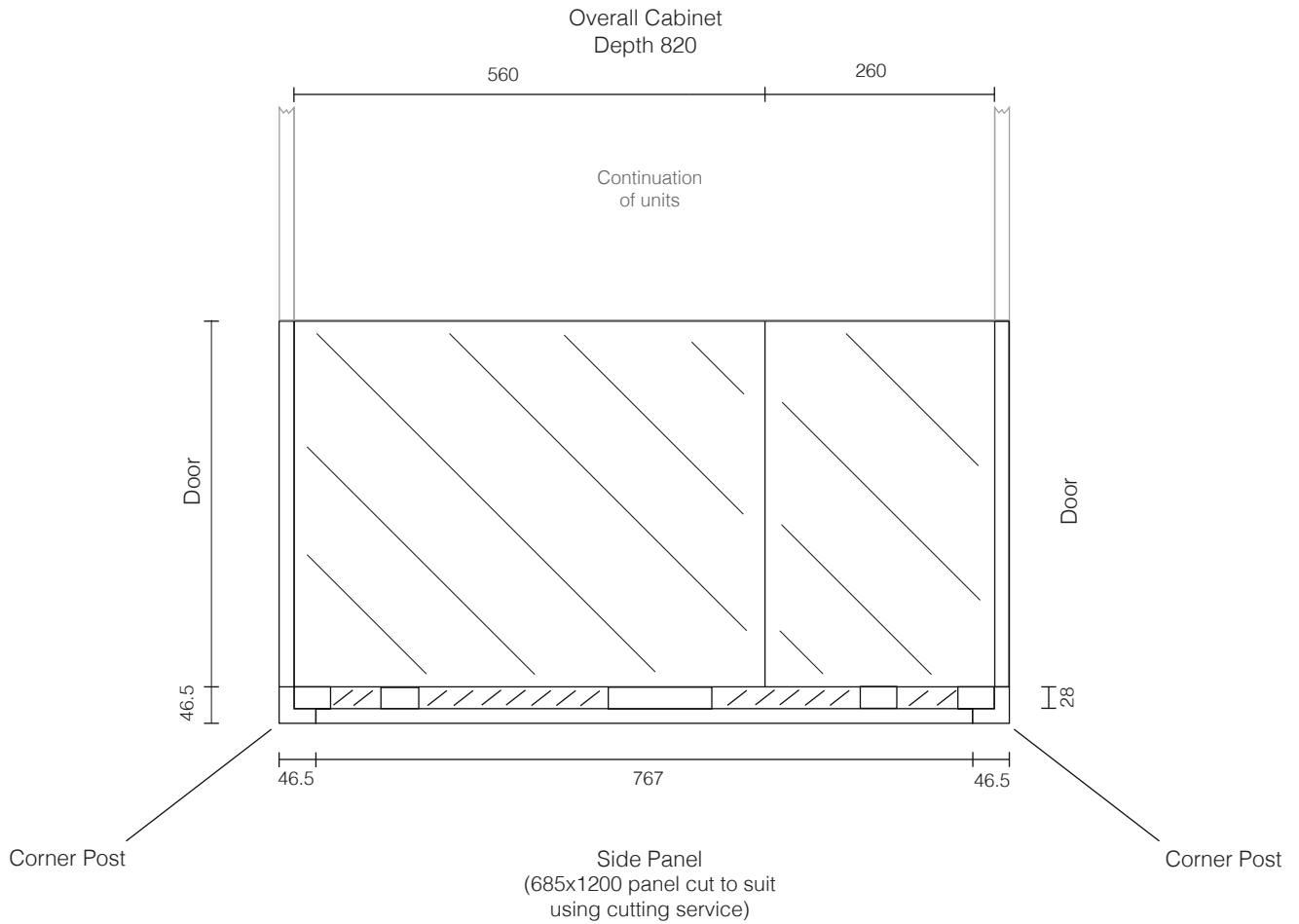
## External Corner Post - Base Unit

See page 213 for corner post drawing



## External Corner Post - 900 Island

See page 213 for corner post drawing

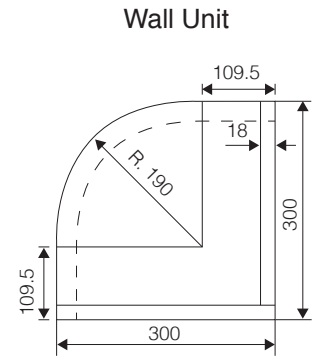
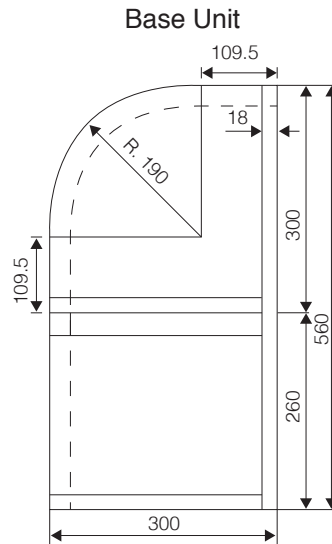
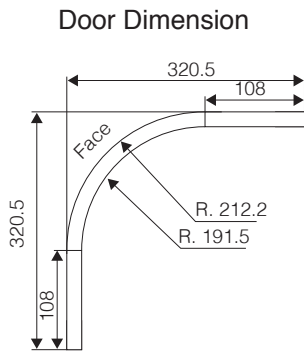


# EASTDON SHAKER

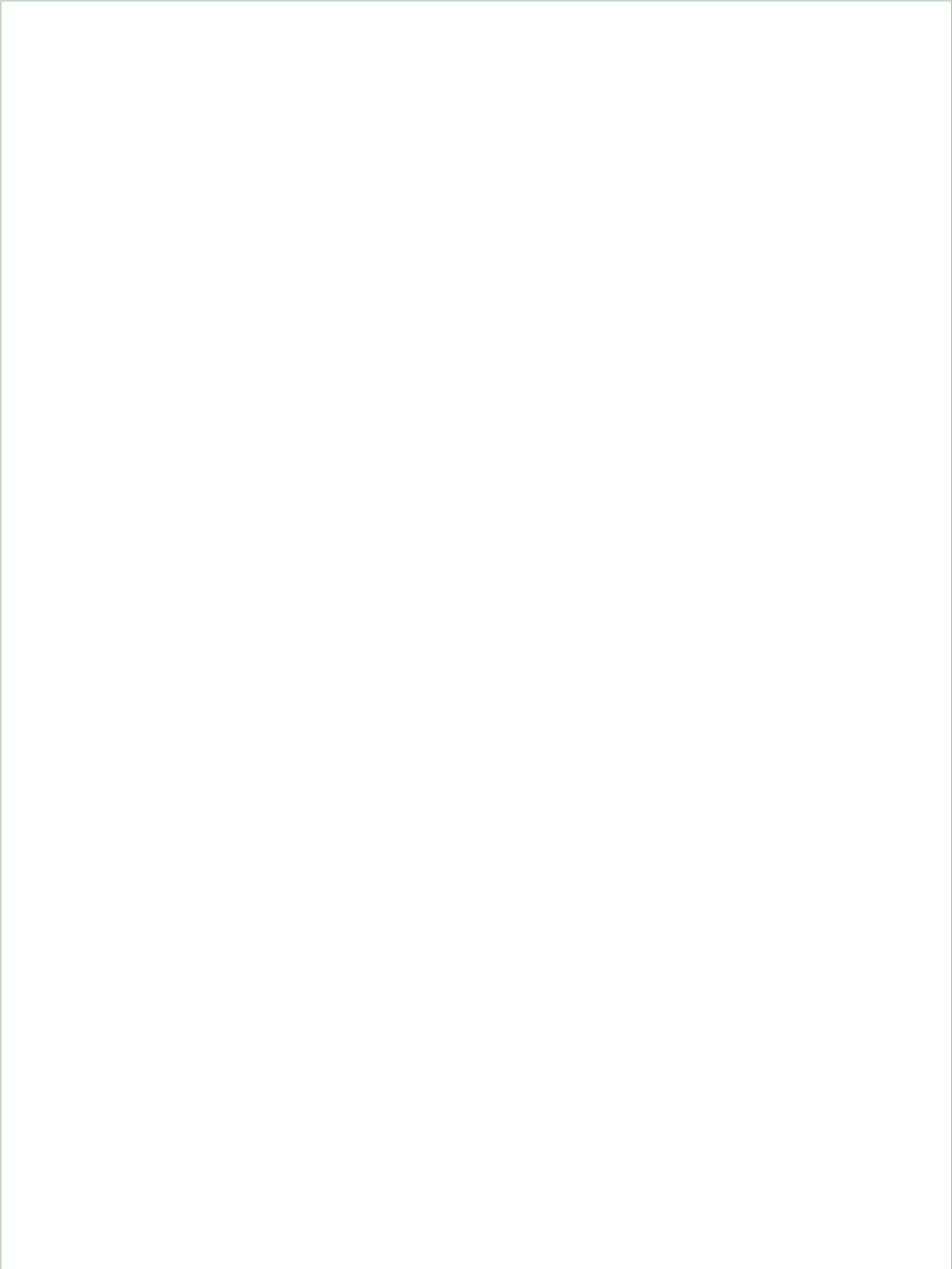
SEE PAGES 110-113 & 162-163 FOR PRICES

## Convex Curved Door

External curved door to suit base and wall units



**Note:** Face of plinth is designed to sit back 40mm from the front edge of the cabinet.

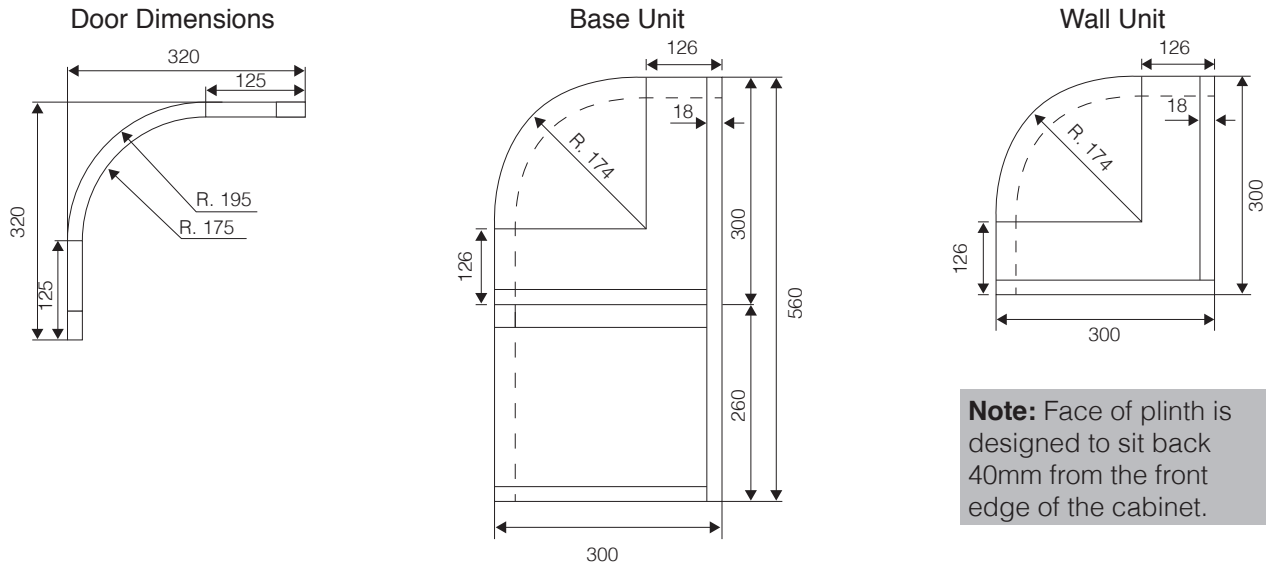


# EILDON IN-FRAME

SEE PAGES 164-167 FOR PRICES

## Convex Curved Door

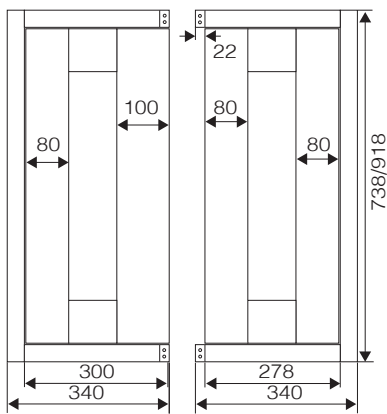
External curved door to suit base and wall units



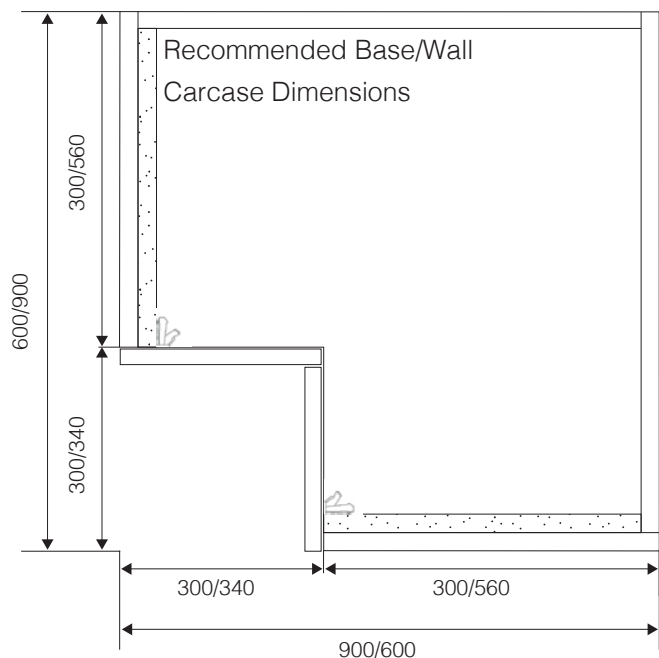
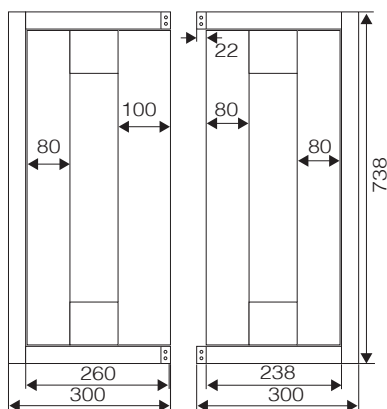
## Corner Door Sets

Note: Tall wall corner doors are available only in the width of 340

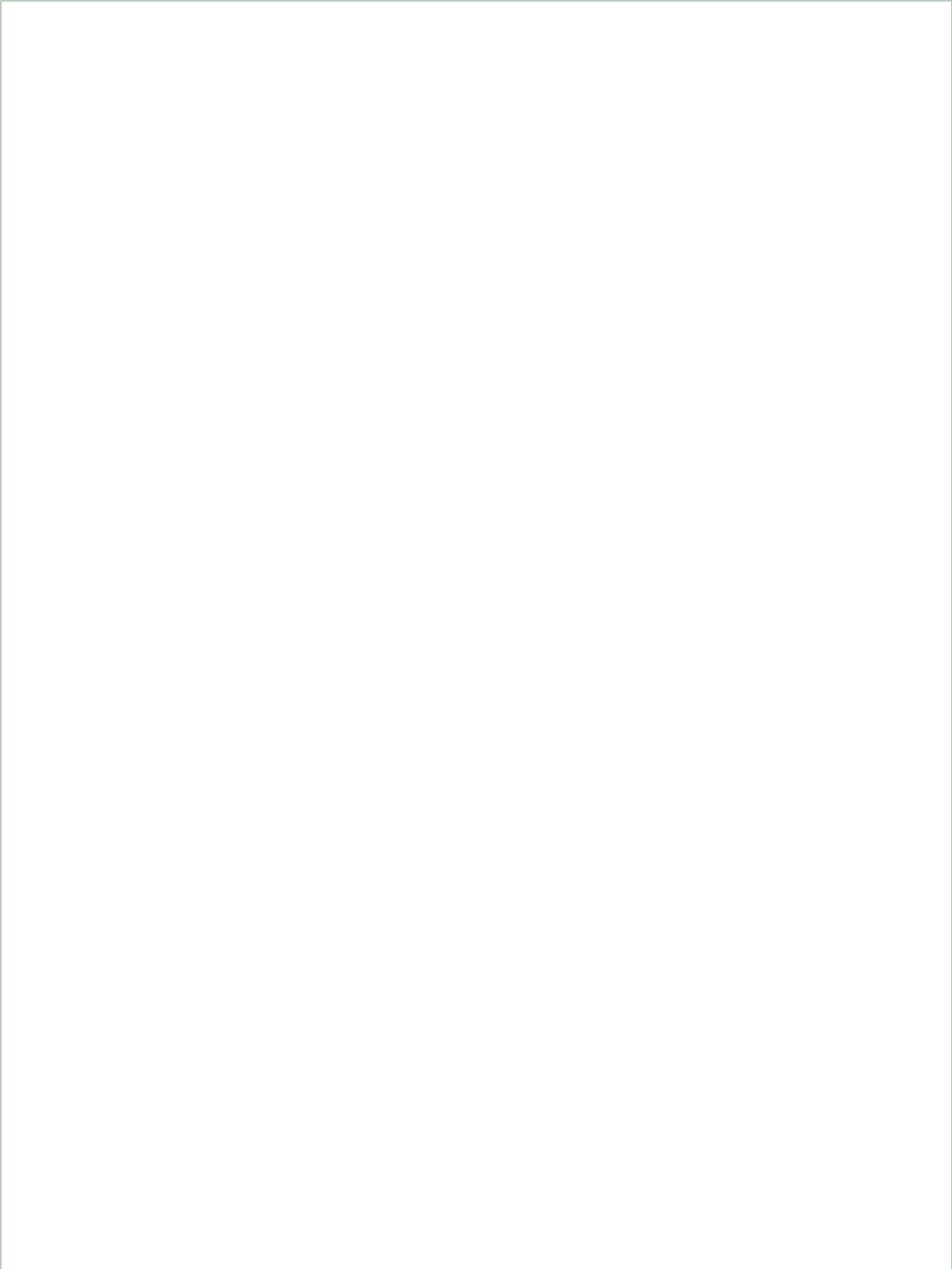
Base Corner Set 738 x 340  
(& Wall Corner Set 918 x 340)



Wall Corner Set 738 x 300



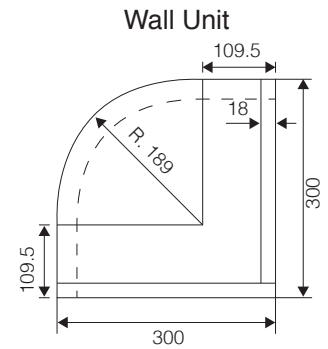
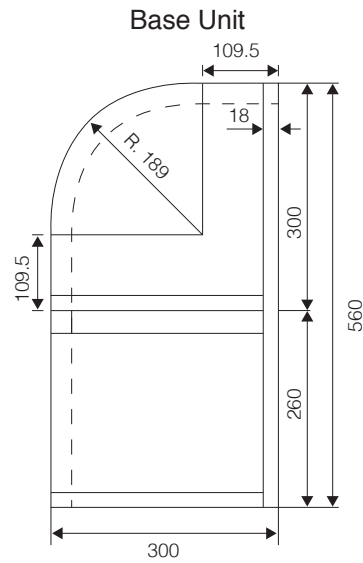
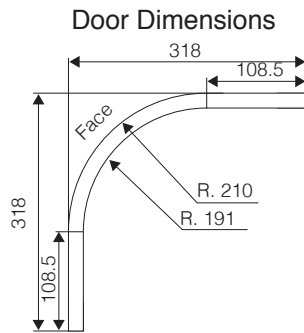
**Note:** Doors are not suitable for a bi-folding hinge and must be hinged to cabinet separately.



# FARRINGTON BEADED & SHAKER

SEE PAGES 114-117 & 168-171 FOR PRICES

## Convex Curved Door



**Note:** Face of plinth is designed to sit back 50mm from the front edge of the cabinet

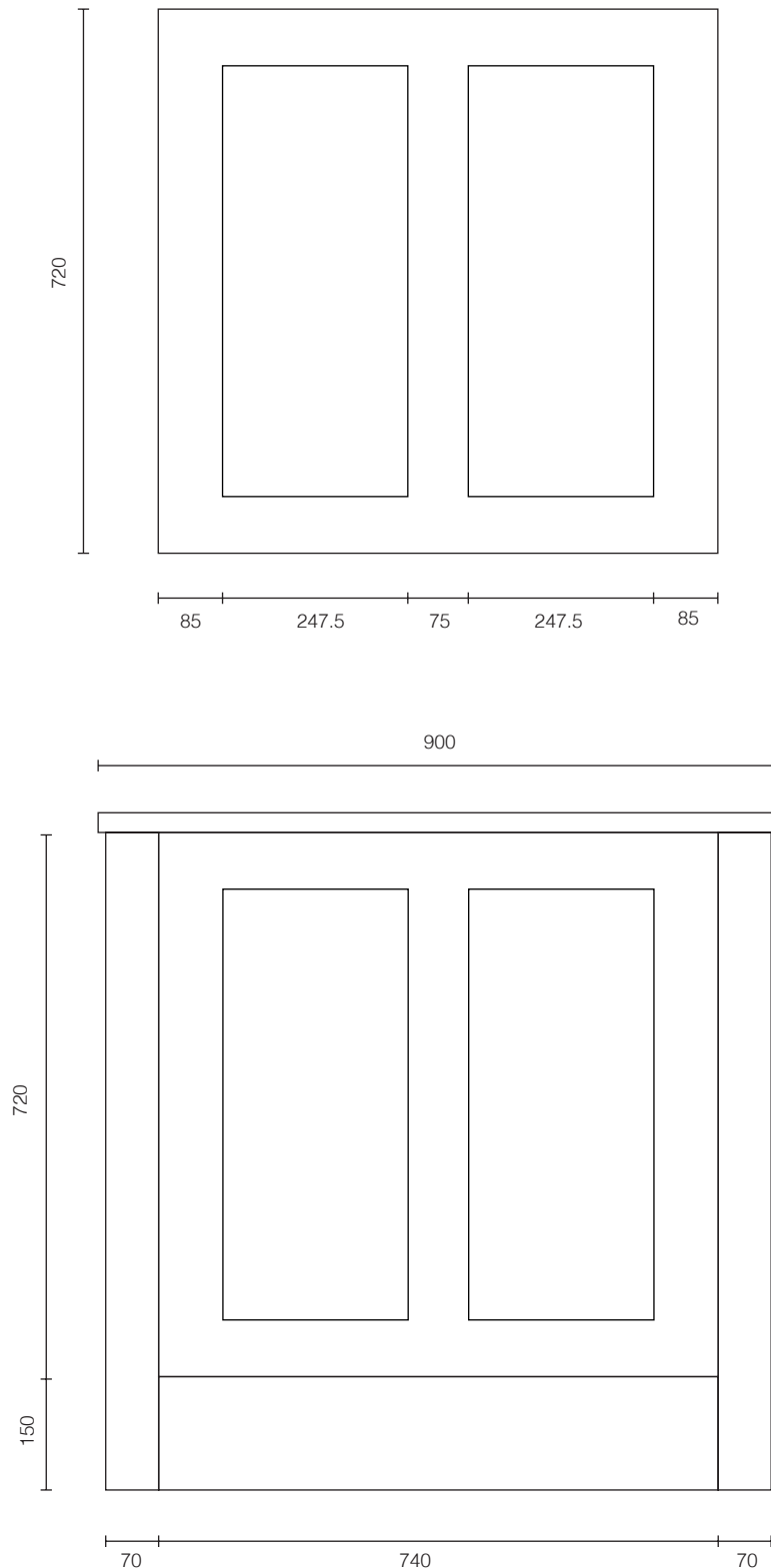
# FARRINGTON BEADED & SHAKER

SEE PAGES 114-117 & 168-171 FOR PRICES

## Twin Base Panel

The twin base panel has been designed to work with the typical kitchen island worktop depth. The panel suits a 920mm deep island, but can be cut down to suit 900mm deep island.

The panel must be used in conjunction with the square pilasters.



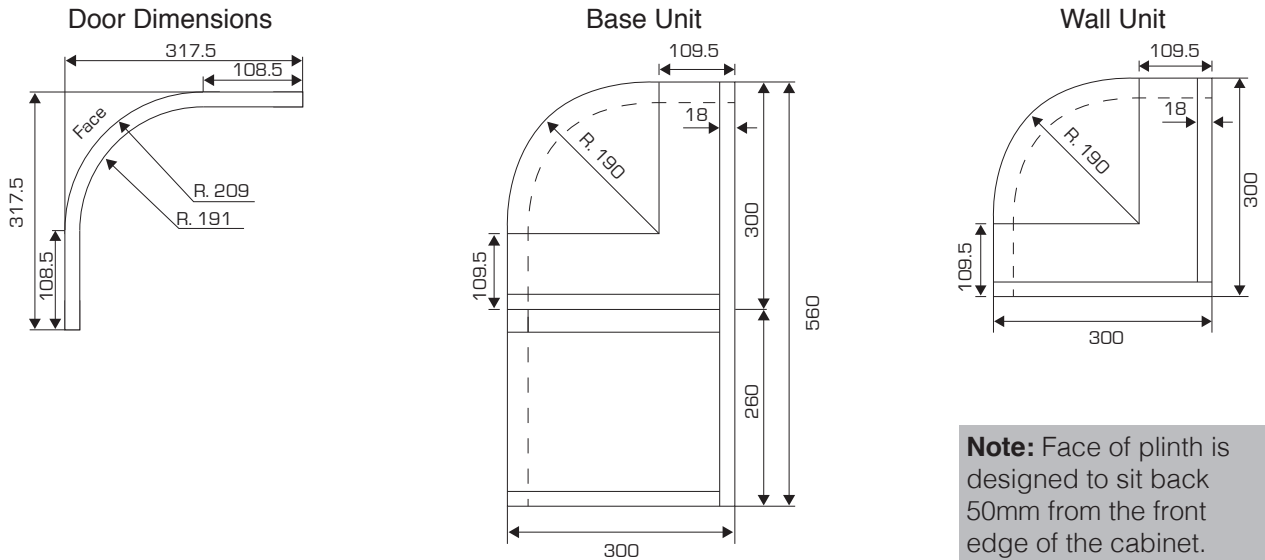


# HADDINGTON

SEE PAGES 118-123 FOR PRICES

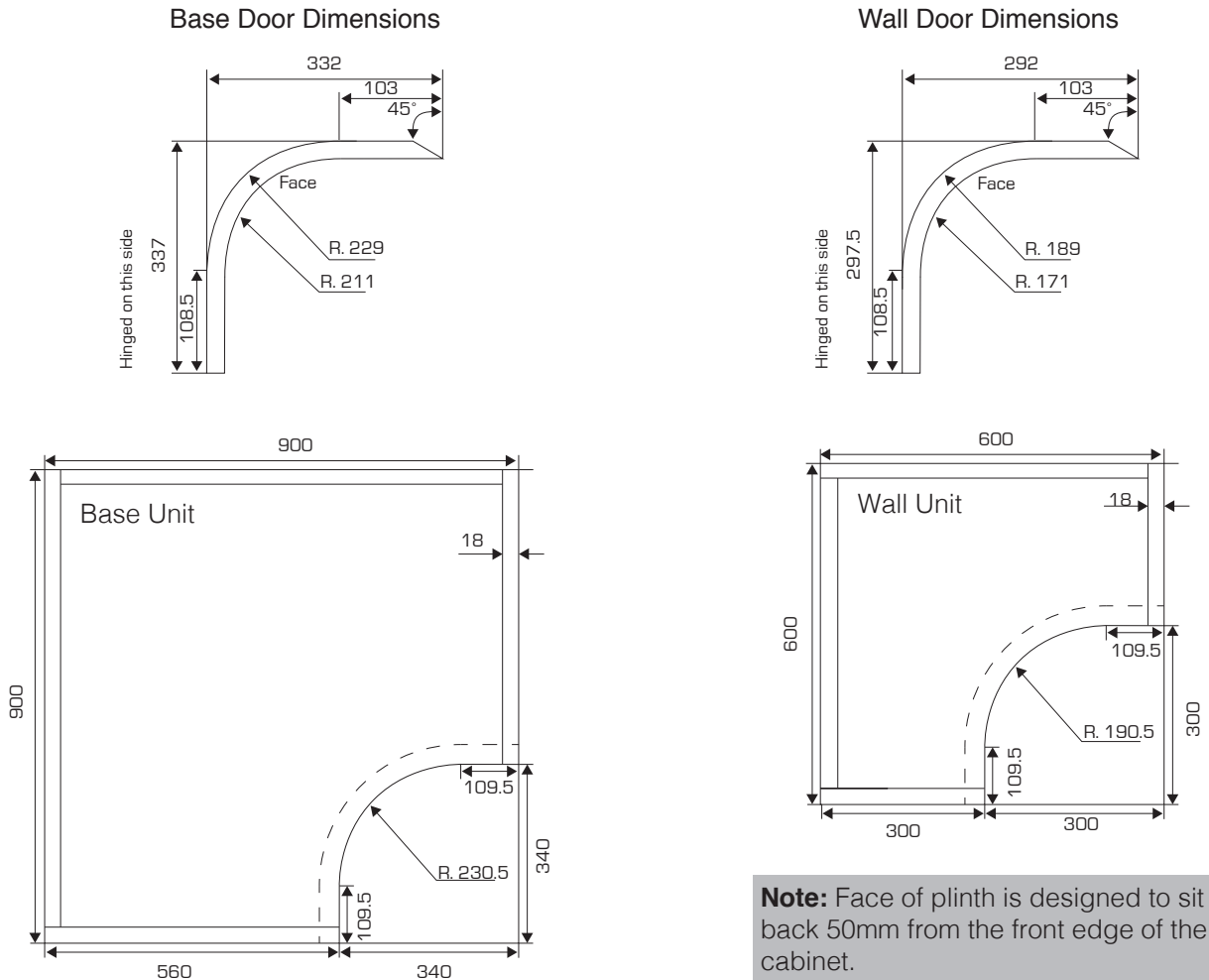
## Convex Curved Door

External curved door to suit base and wall units



## Concave Curved Doors

Internal curved doors

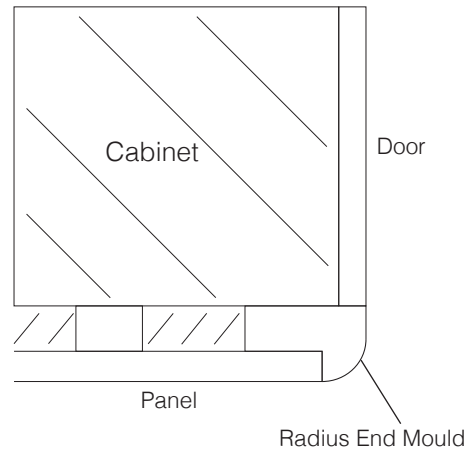
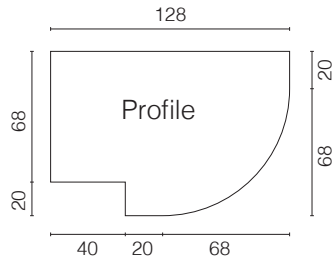
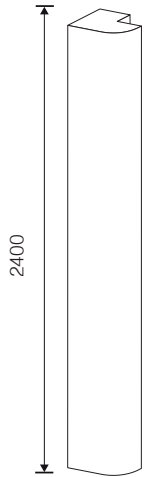


# HADDINGTON

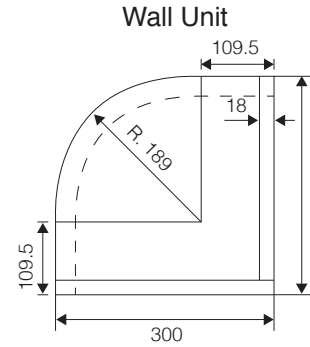
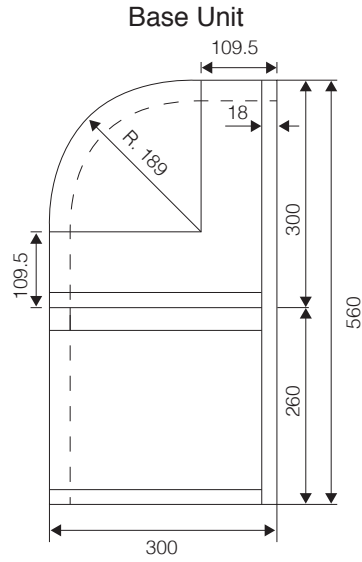
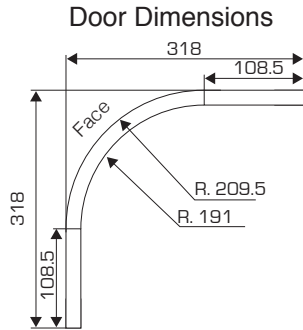
SEE PAGES 118-123 FOR PRICES

## Radius End Mould

Available in Haddington Cream & Grey (not available in Haddington White)

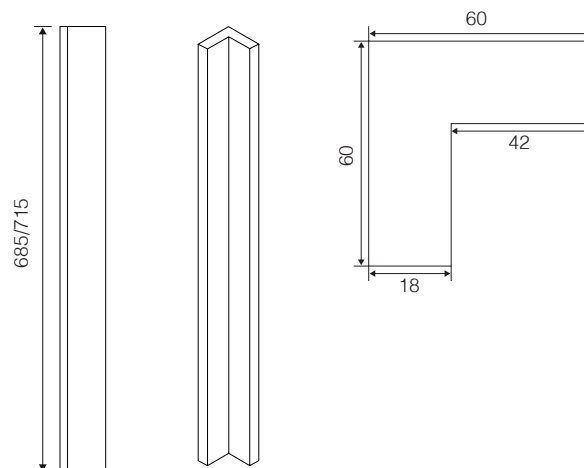


## Convex Curved Door

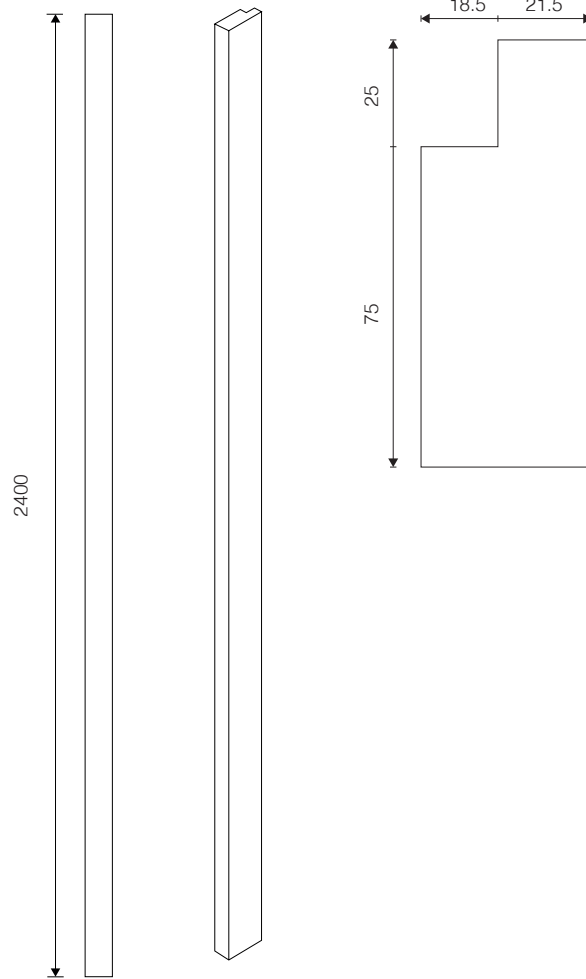


**Note:** Face of plinth is designed to sit back 50mm from the front edge of the cabinet

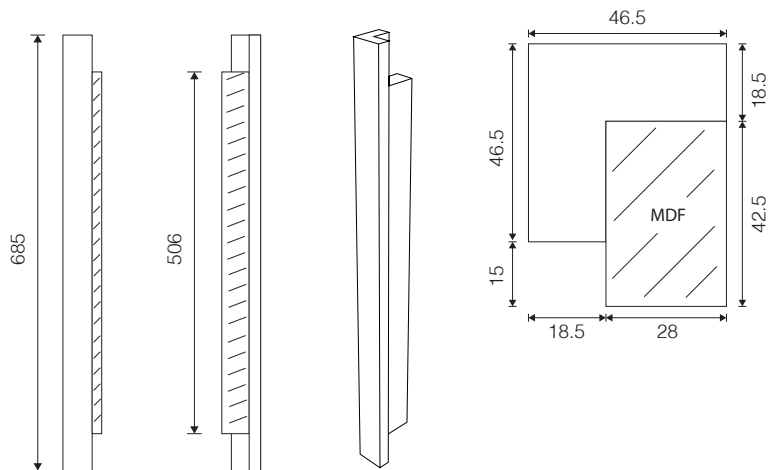
## Internal Corner Post



## Tall Corner Posts



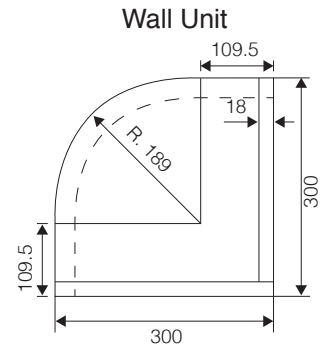
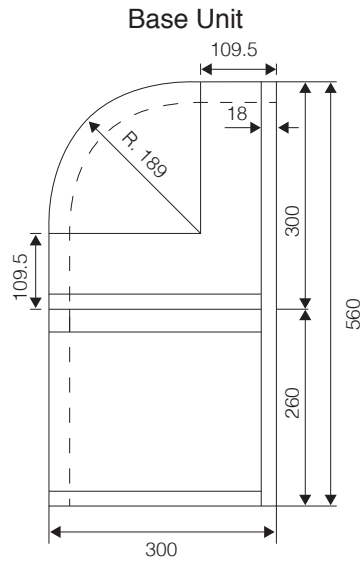
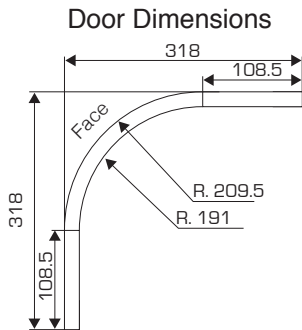
## External Corner Post



# HAMELDOWN

SEE PAGES 126-127 FOR PRICES

## Convex Curved Door



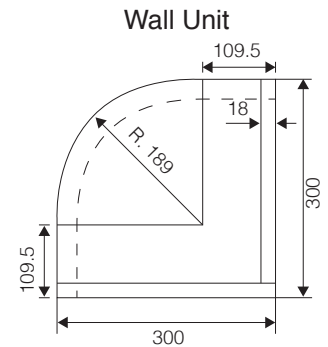
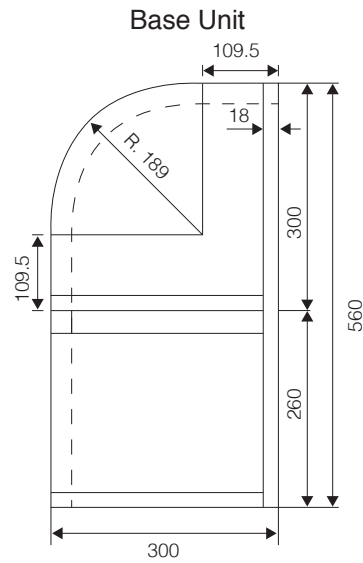
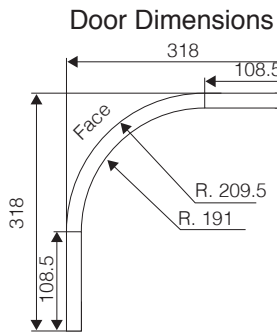
**Note:** Face of plinth is designed to sit back 50mm from the front edge of the cabinet



# HARTSIDE

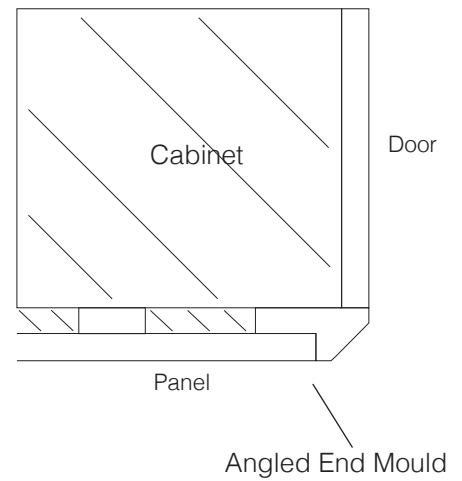
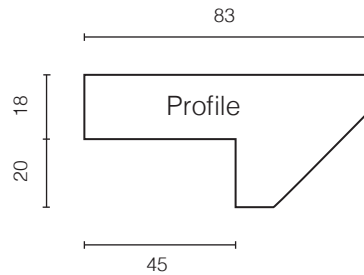
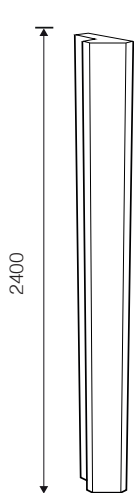
SEE PAGES 128-129 & 172-173 FOR PRICES

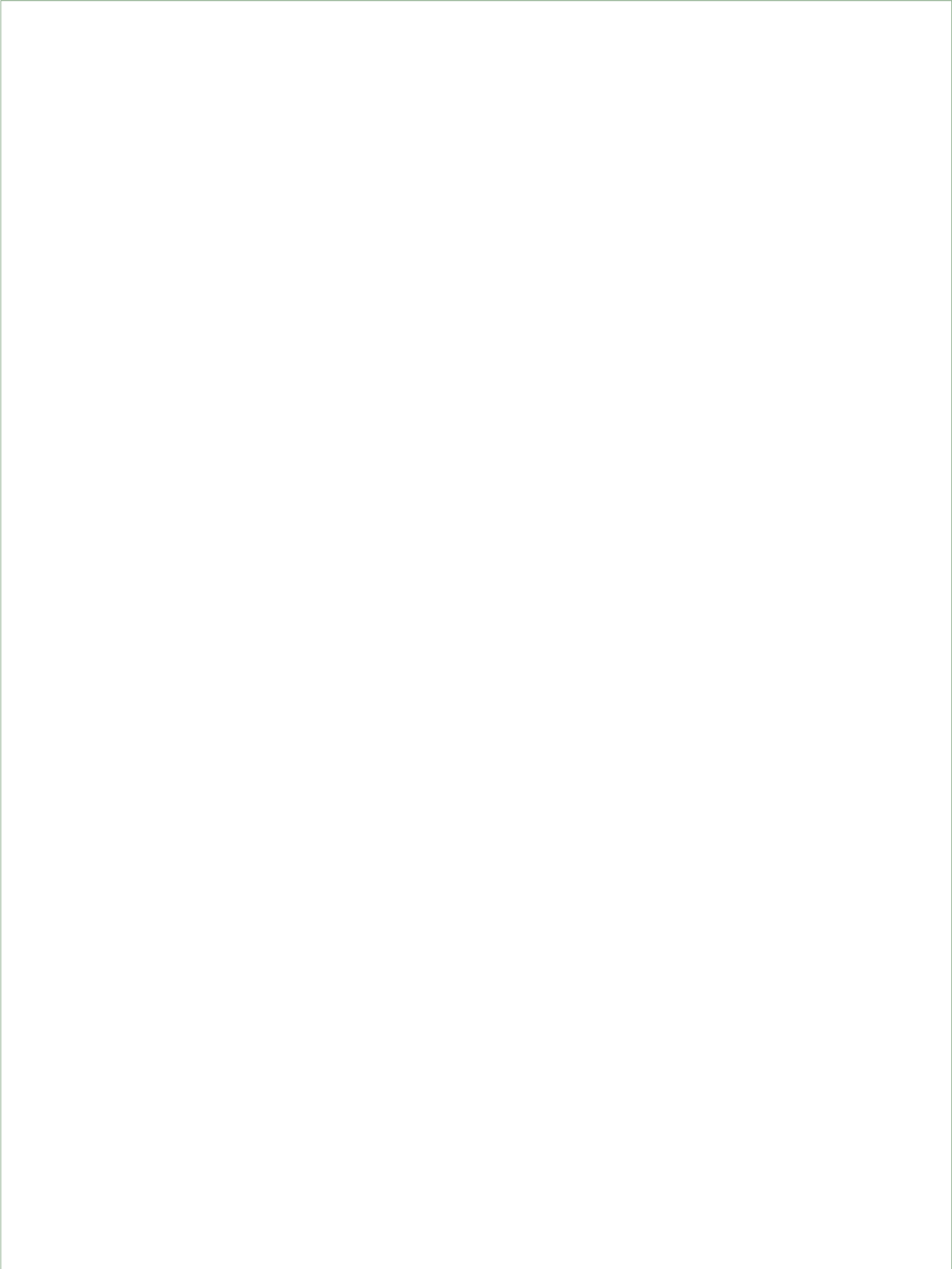
## Convex Curved Door



**Note:** Face of plinth is designed to sit back 50mm from the front edge of the cabinet

## Angled End Mould





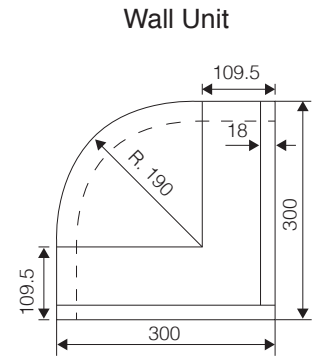
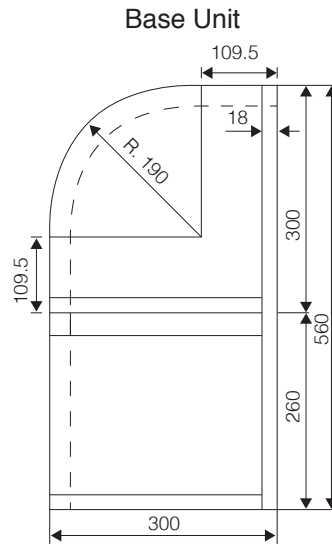
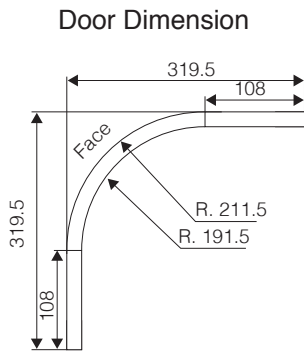


# RIVINGTON

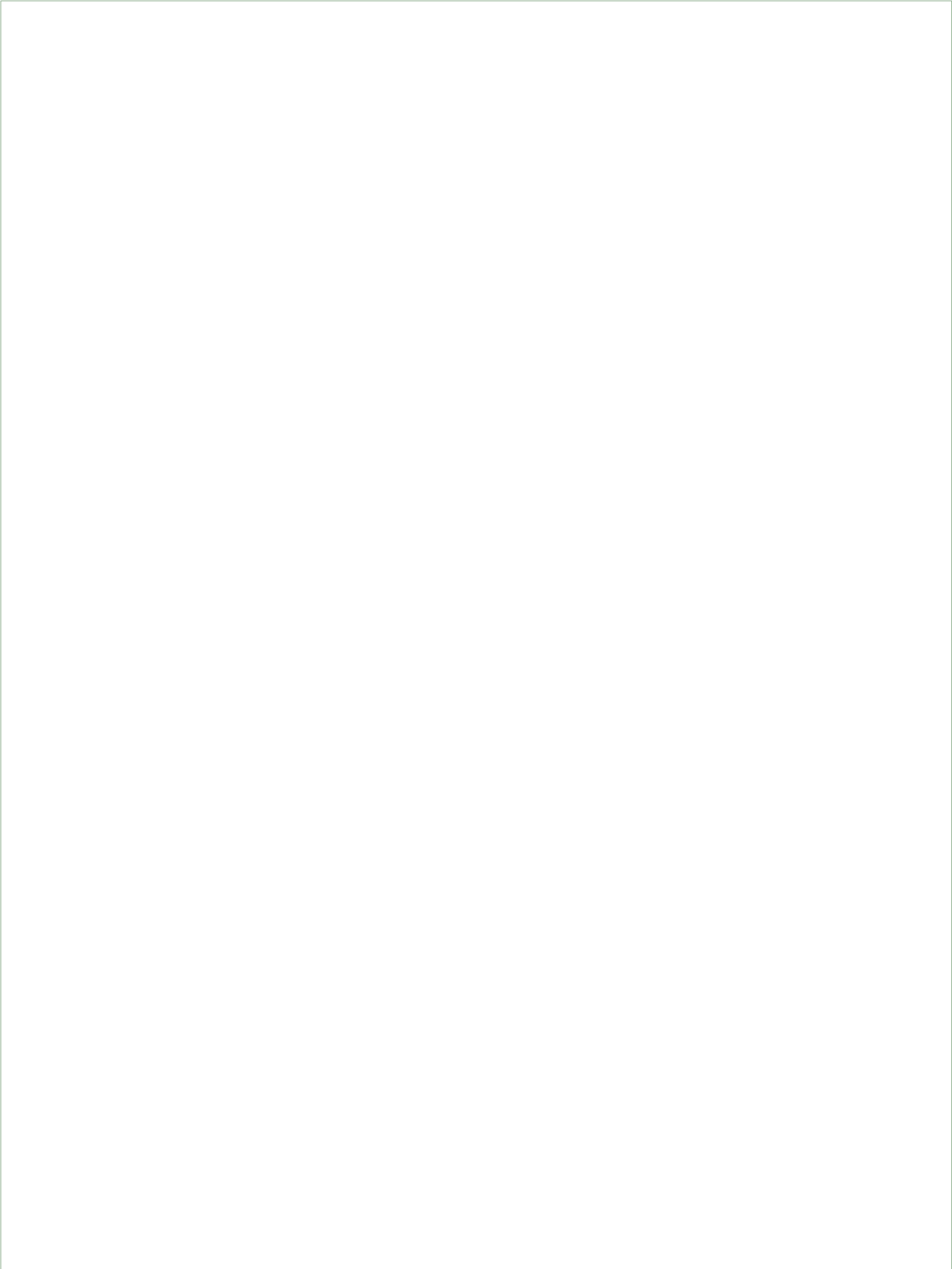
SEE PAGES 130-133 & 174-175 FOR PRICES

## Convex Curved Door

External curved door to suit base and wall units



**Note:** Face of plinth is designed to sit back 40mm from the front edge of the cabinet.

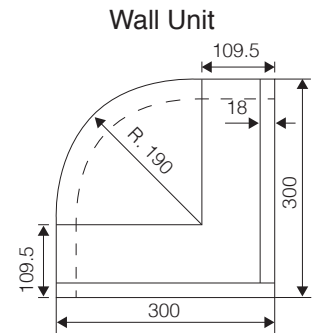
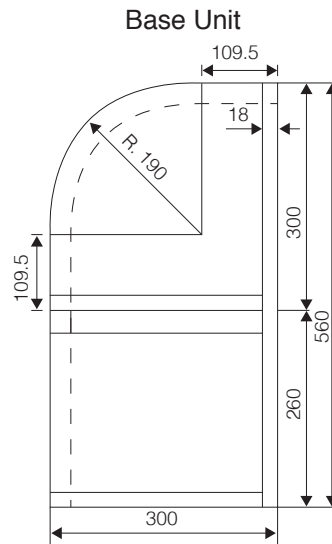
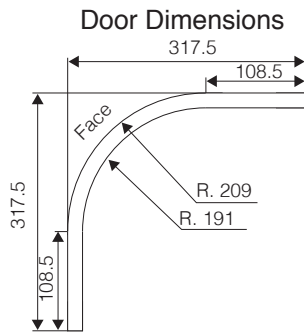


# TORBERRY

SEE PAGES 134-135 & 176-177 FOR PRICES

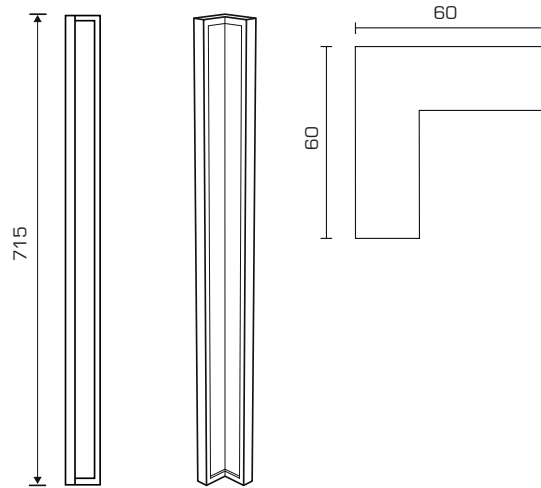
## Convex Curved Door

External curved door to suit base and wall units



**Note:** Face of plinth is designed to sit back 30mm from the front edge of the cabinet.

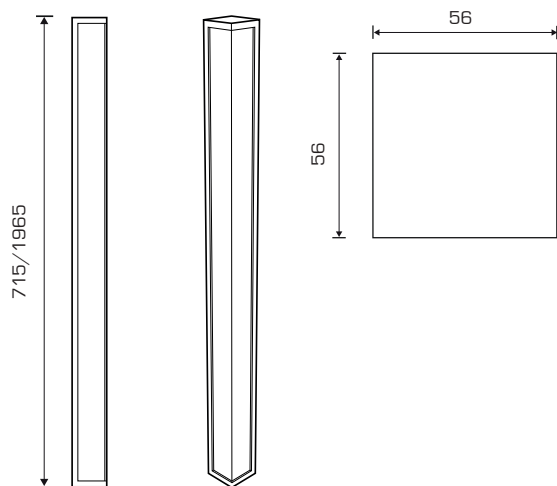
## Internal Corner Post



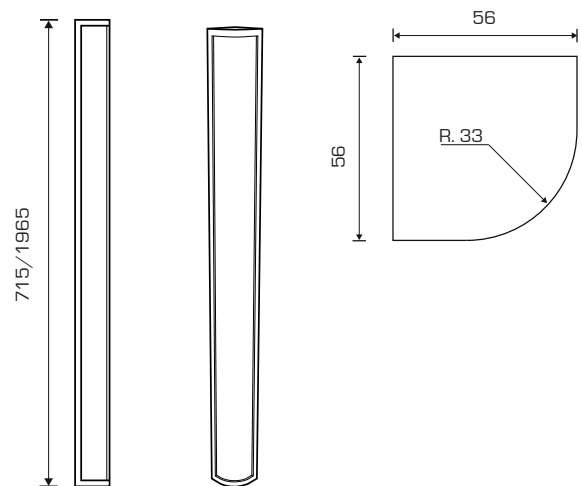
## External Corner Posts

See overleaf for cabinet installation.

### Square External Corner Post



### Radius External Corner Post

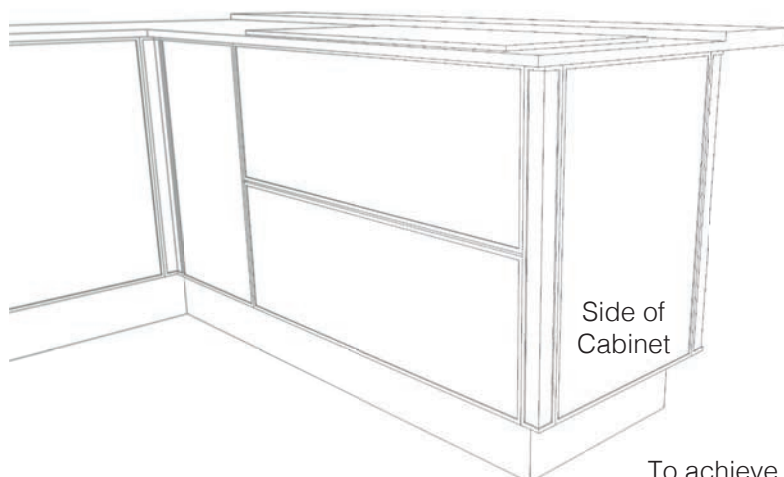
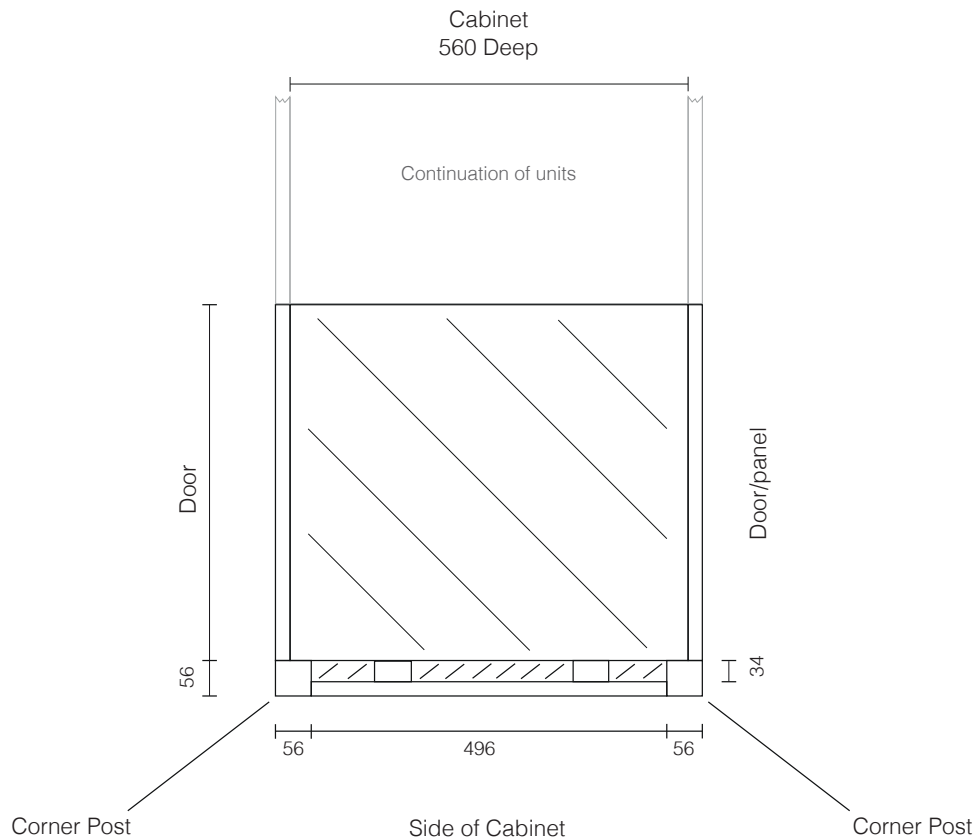


# TORBERRY

SEE PAGES 134-135 & 176-177 FOR PRICES

## External Corner Post - Peninsular

The external corner post has been designed to continue the flow of doors on both peninsular and island designs. See below and opposite for diagrams.

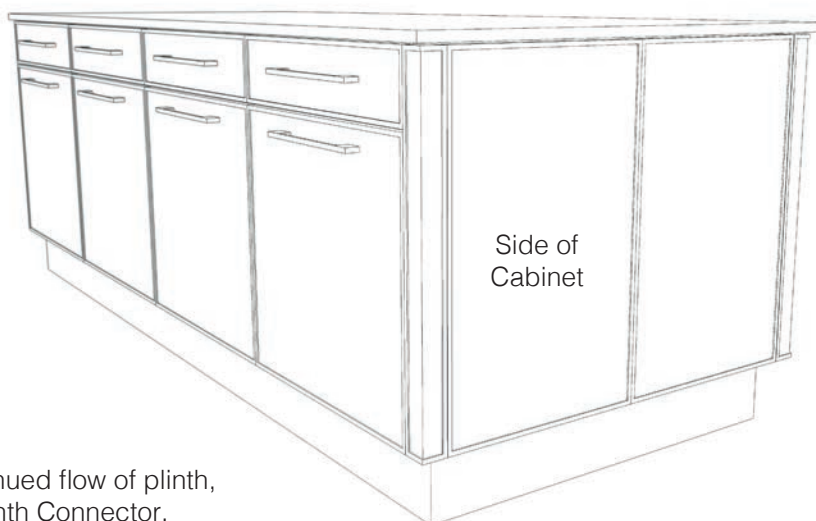
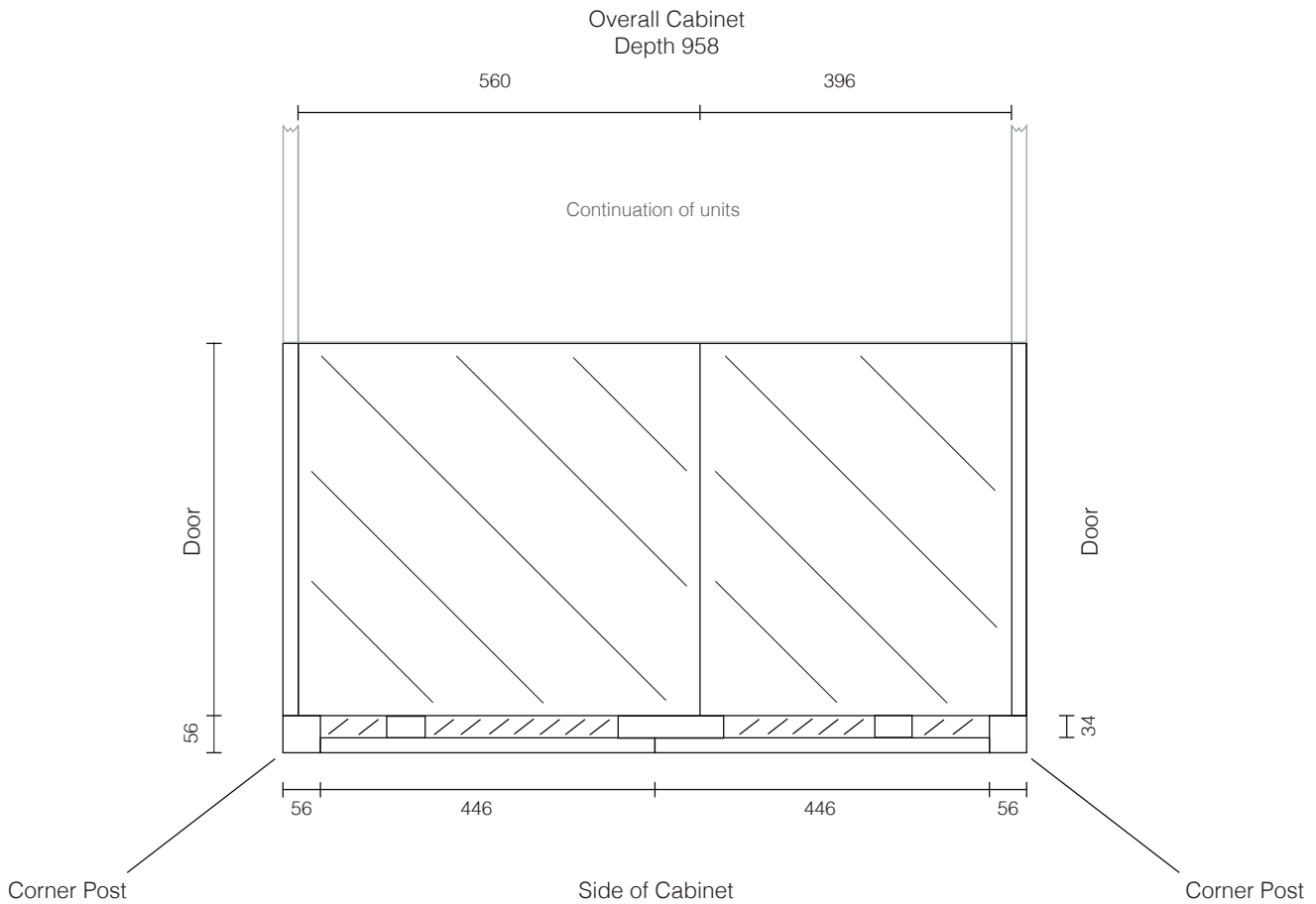


To achieve the continued flow of plinth, use the Universal Plinth Connector. See page 77.

# TORBERRY

SEE PAGES 134-135 & 176-177 FOR PRICES

## External Corner Post - Island



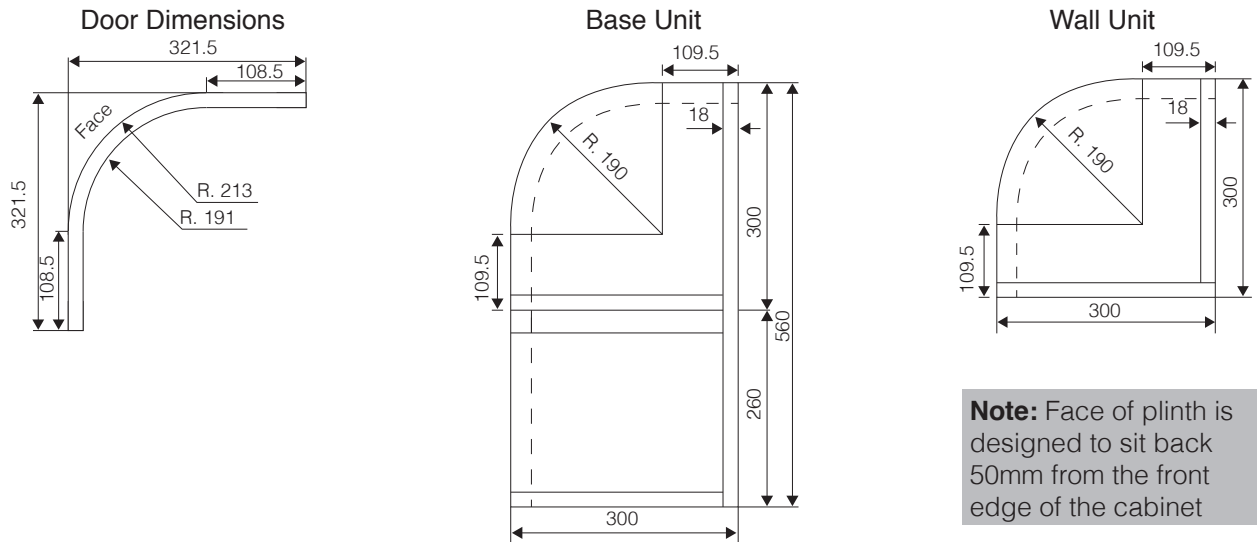
To achieve the continued flow of plinth, use the Universal Plinth Connector. See page 77.

# WELFORD

SEE PAGES 136-139 & 178-181 FOR PRICES

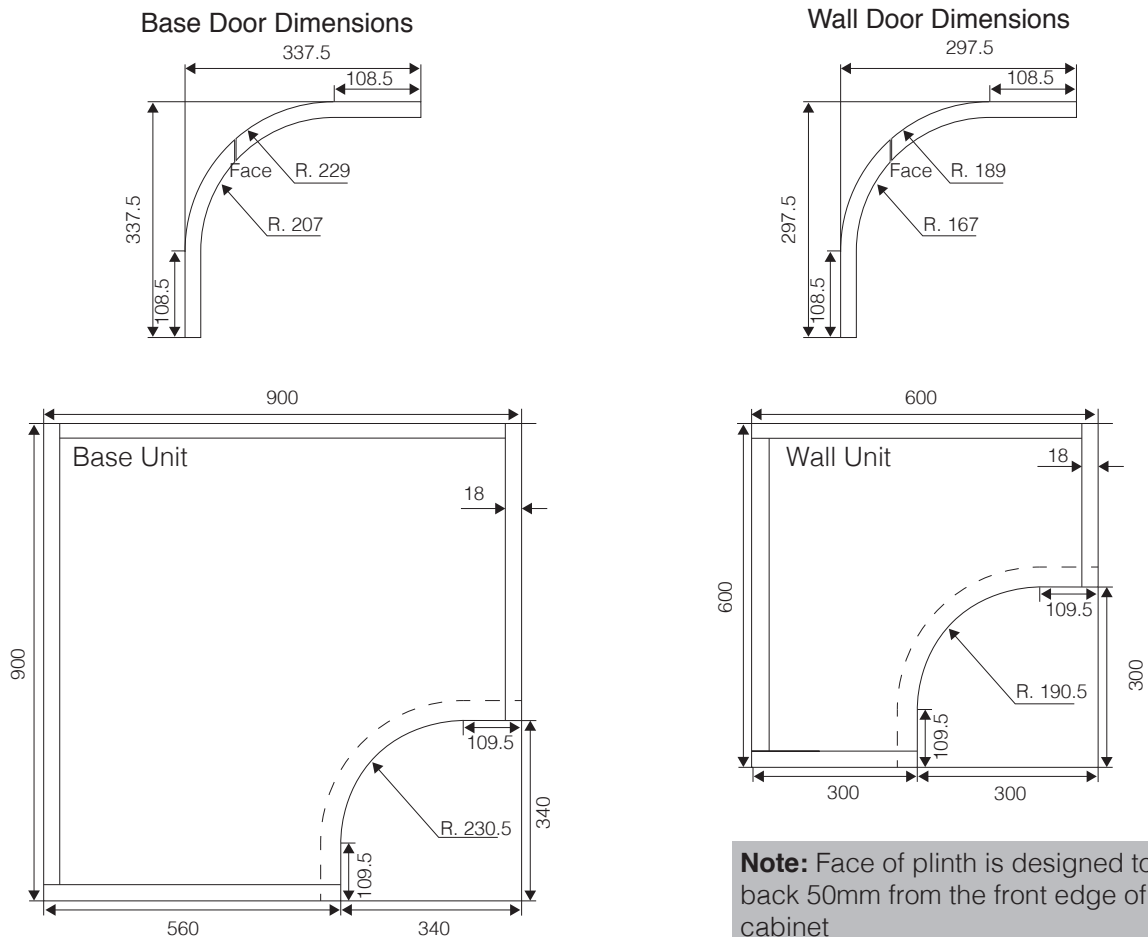
## Convex Curved Door

External curved door to suit base and wall units



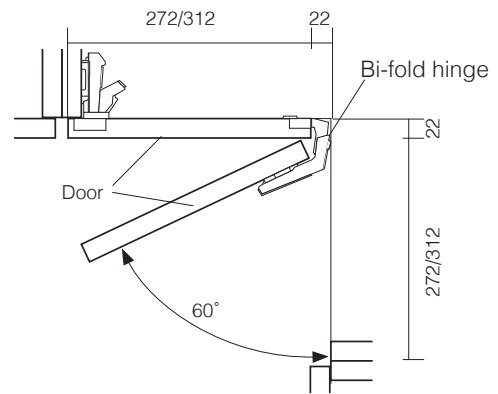
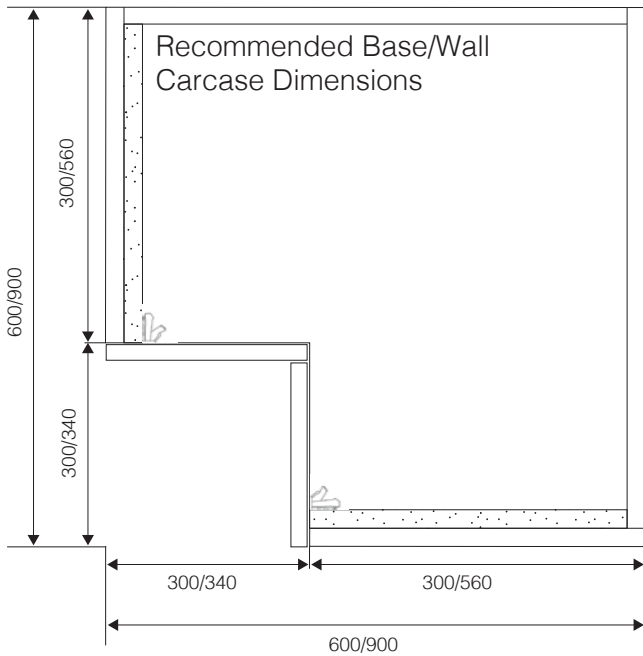
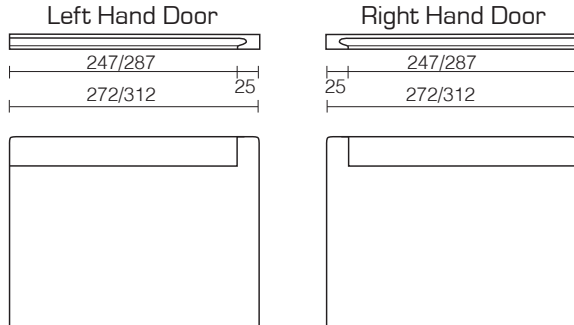
## Concave Curved Doors

Internal curved doors are sold as a pair; left-hand & right-hand.  
 This design enables the handle to run uninterrupted throughout the curved section



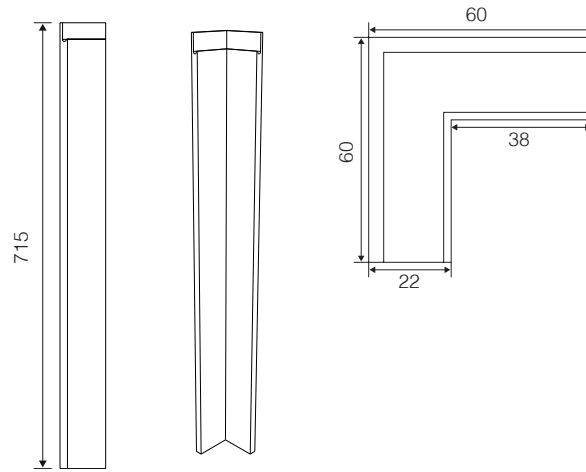
## Corner Sets

Doors are sold as a complete set, not separately.

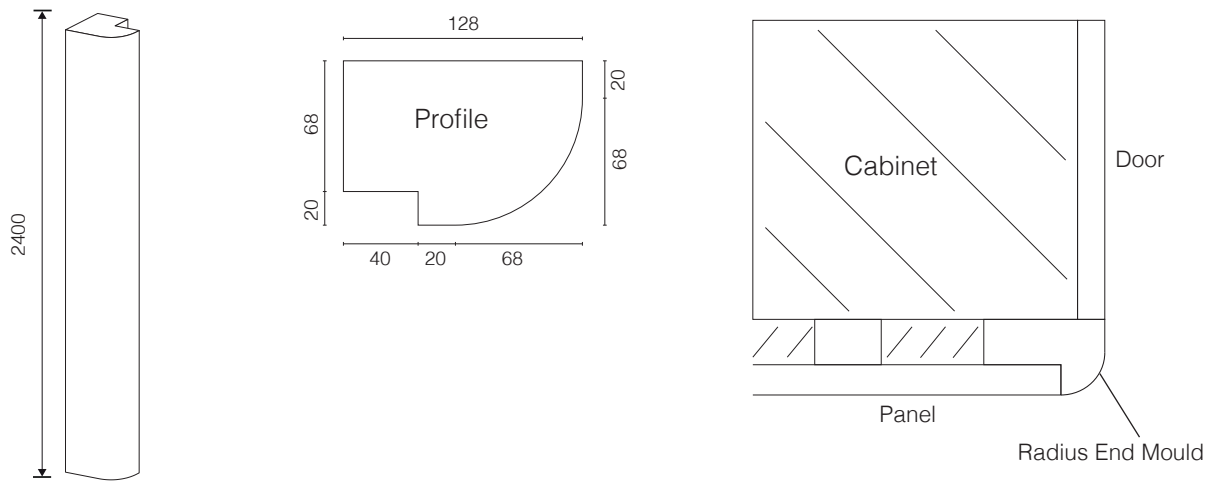




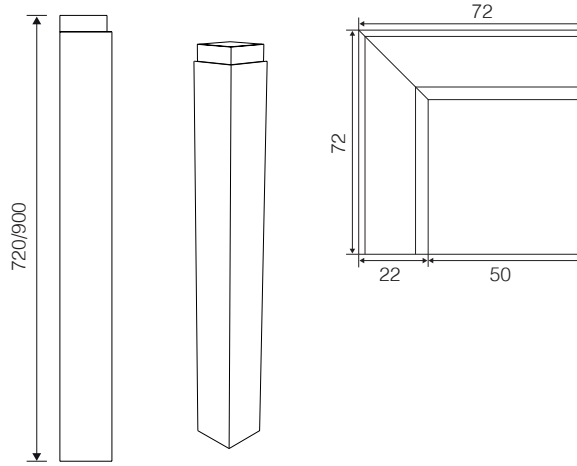
## Internal Corner Post



## Radius End Mould

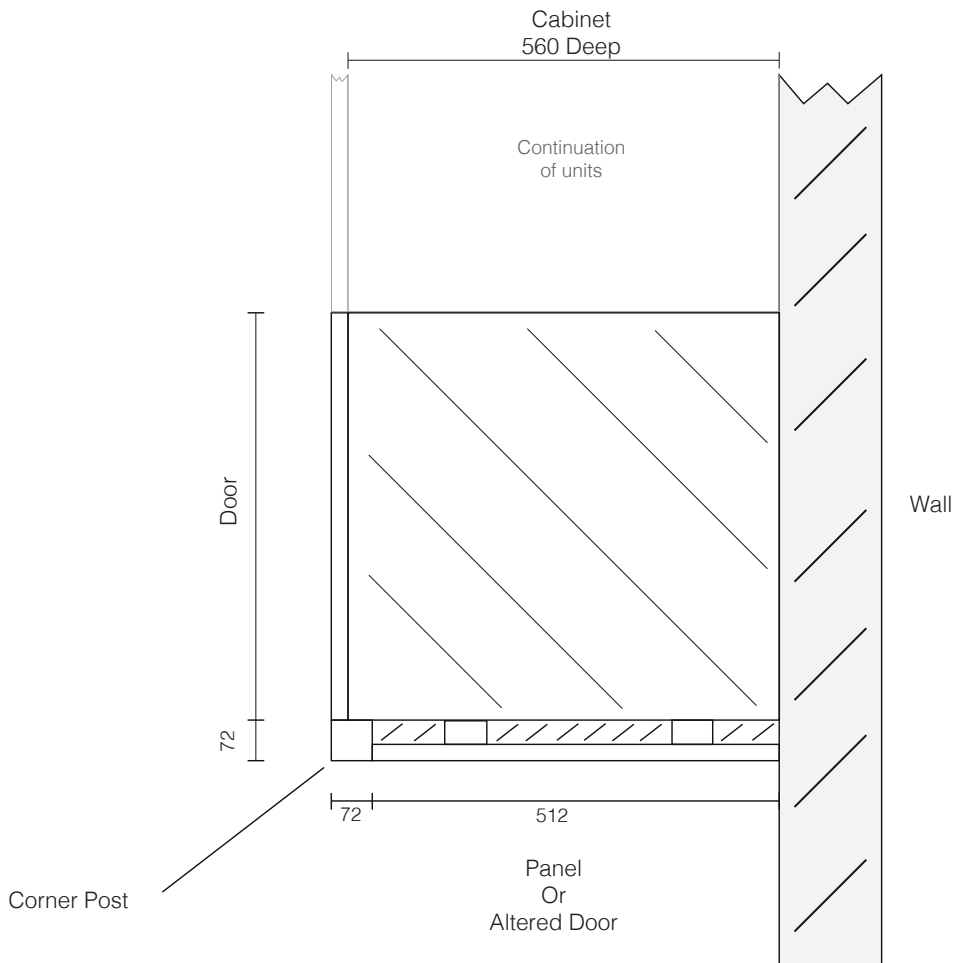


## External Corner Posts



## External Corner Post - Base Unit

See page 240 for island application guide

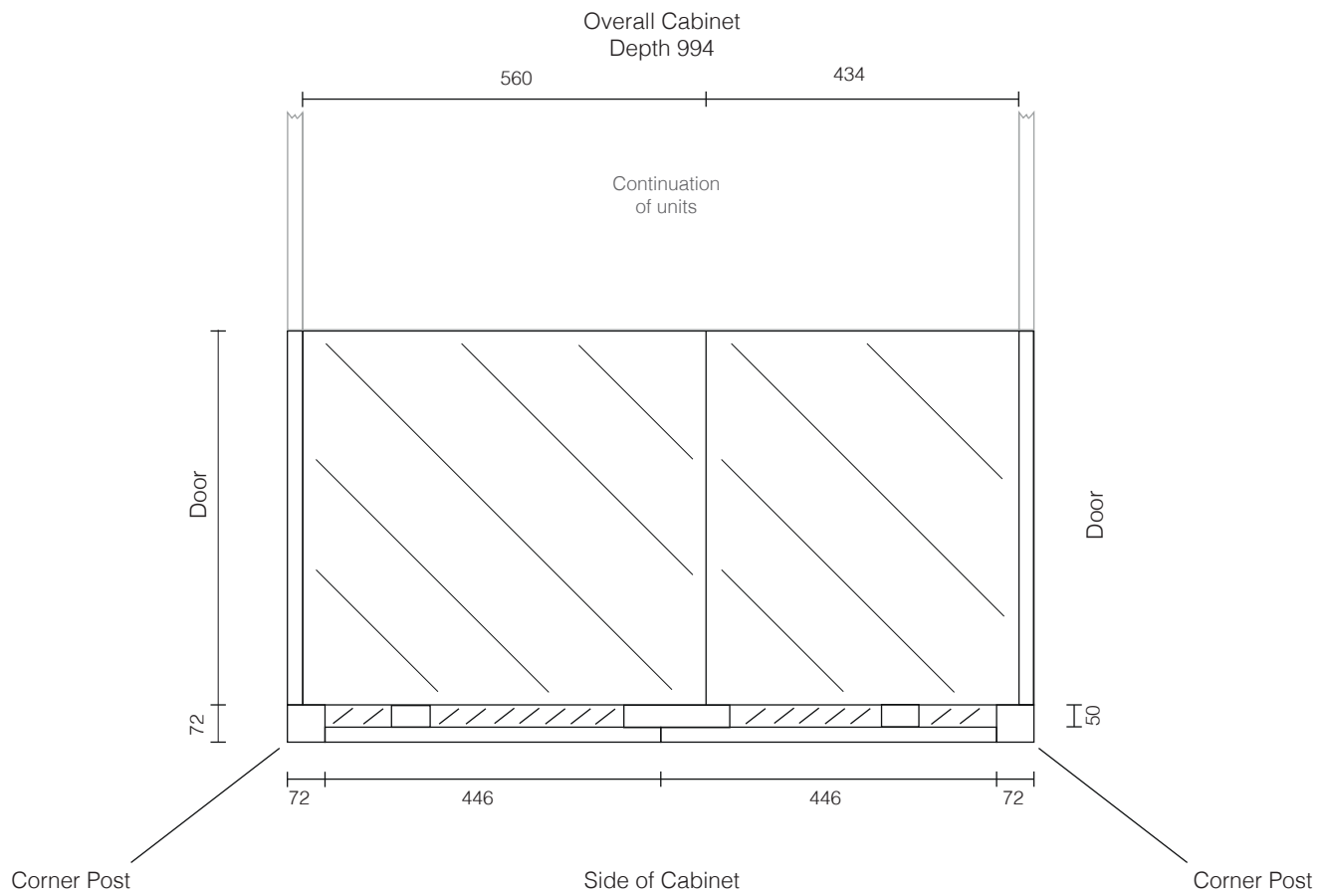


# WELFORD

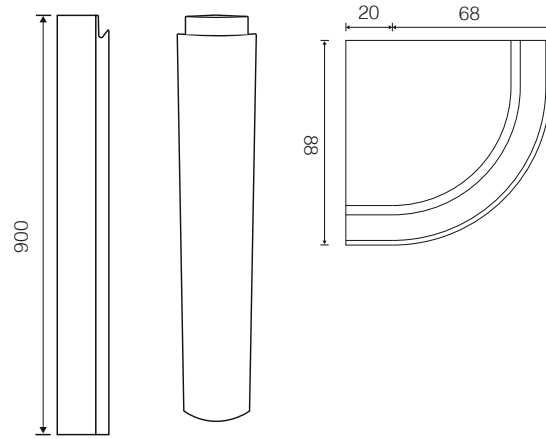
SEE PAGES 136-139 & 178-181 FOR PRICES

## External Corner Post - Island

See page 239 for base unit application guide

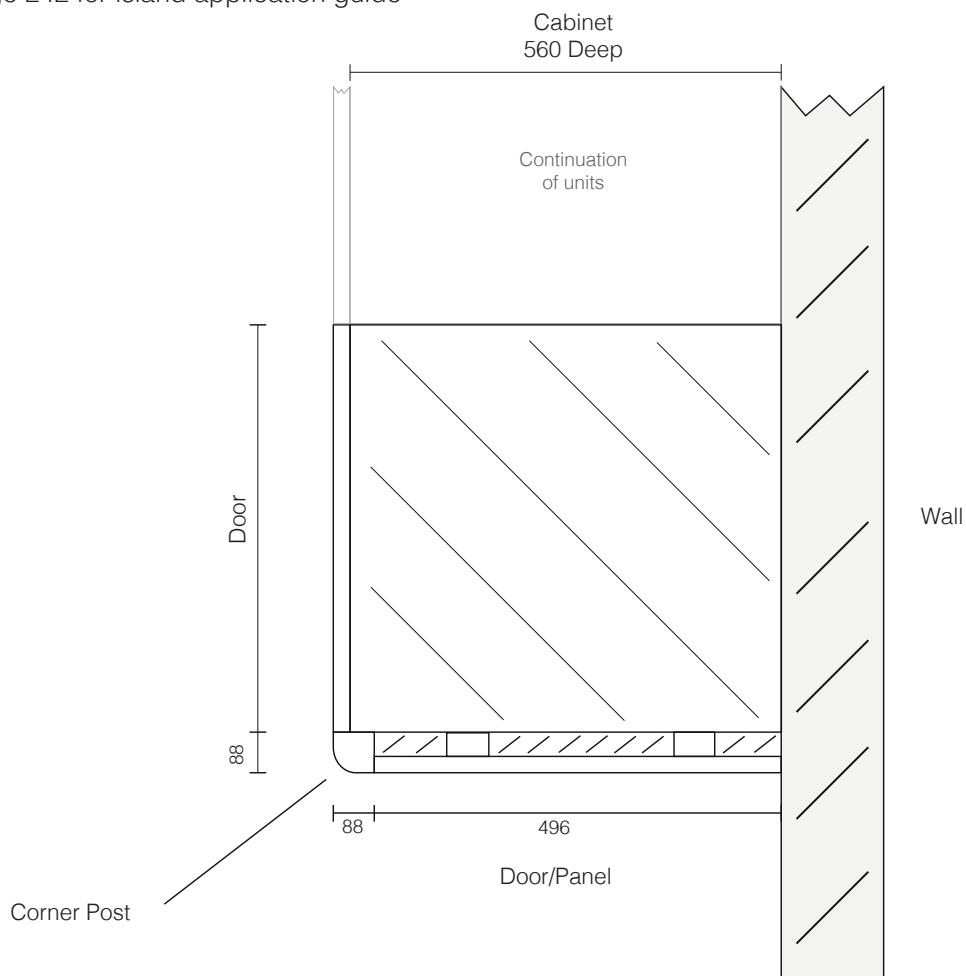


## Radius Corner Post



## Radius Corner Post - Base Unit

See page 242 for island application guide

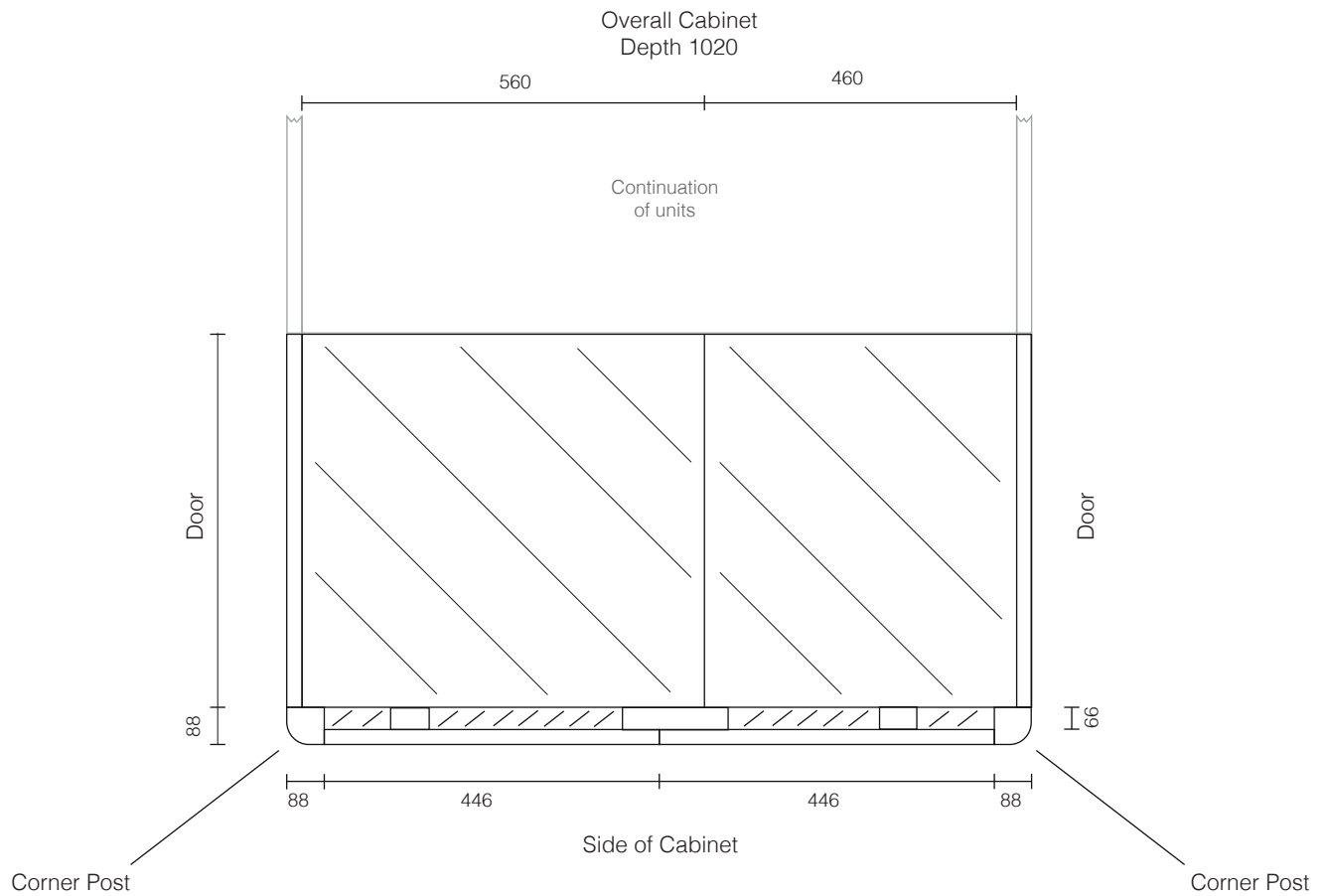


# WELFORD

SEE PAGES 136-139 & 178-181 FOR PRICES

## Radius Corner Post - Island

See page 241 for base unit application guide





# Kitchen Matrix

# 10

Kitchen Matrix - Standard Sizes	246
Kitchen Appliance Matrix - Standard Sizes	247
In-Frame Kitchen Matrix	248
In-Frame Appliance Matrix	249

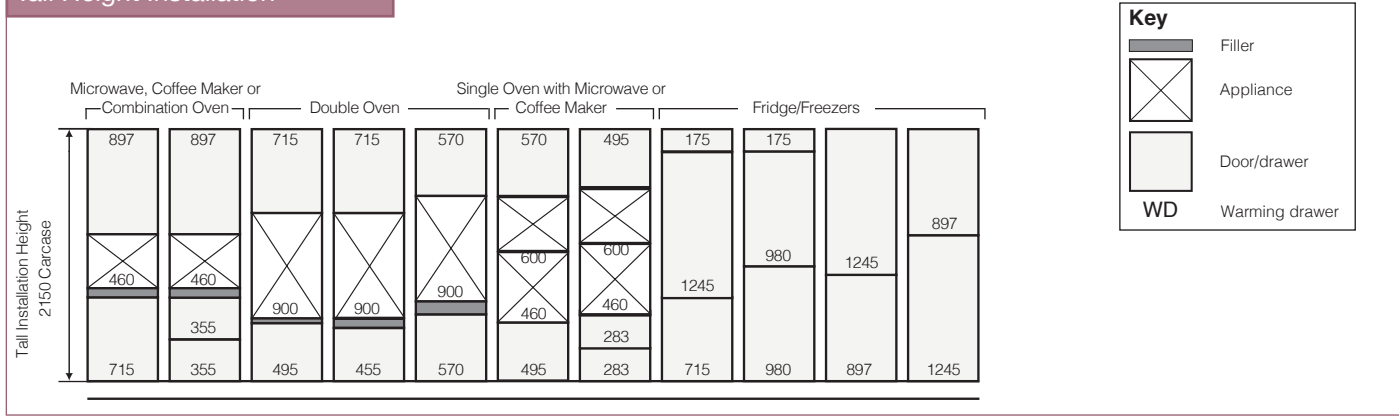




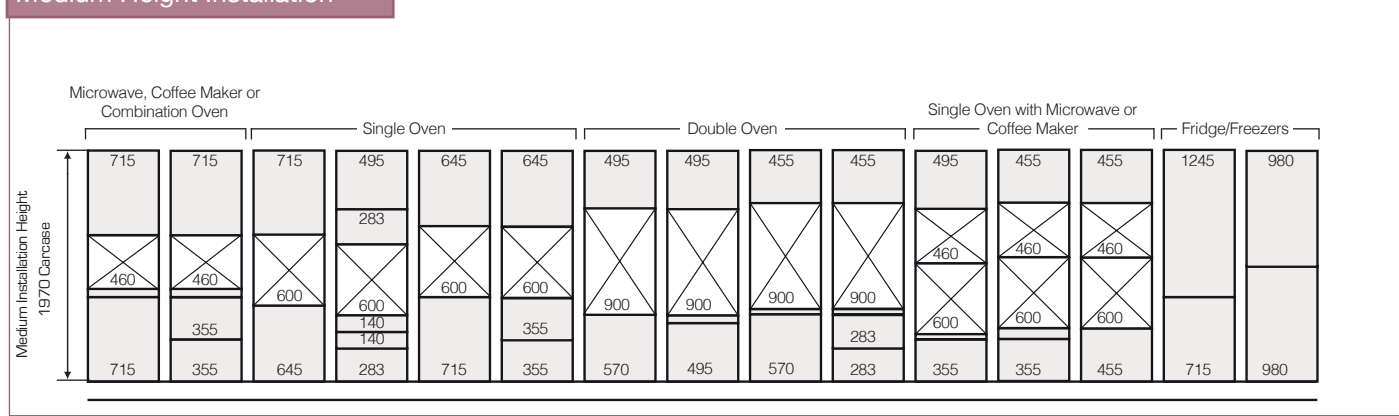
# KITCHEN APPLIANCE MATRIX

Please note that not all sizes are available in every range. We recommend referring to the individual range pages for a definitive list of sizes.

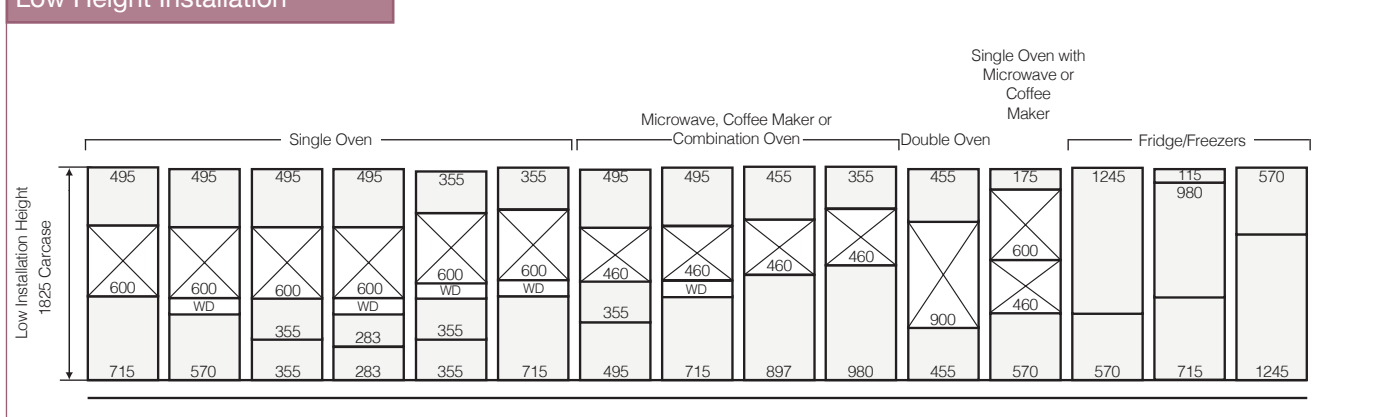
## Tall Height Installation



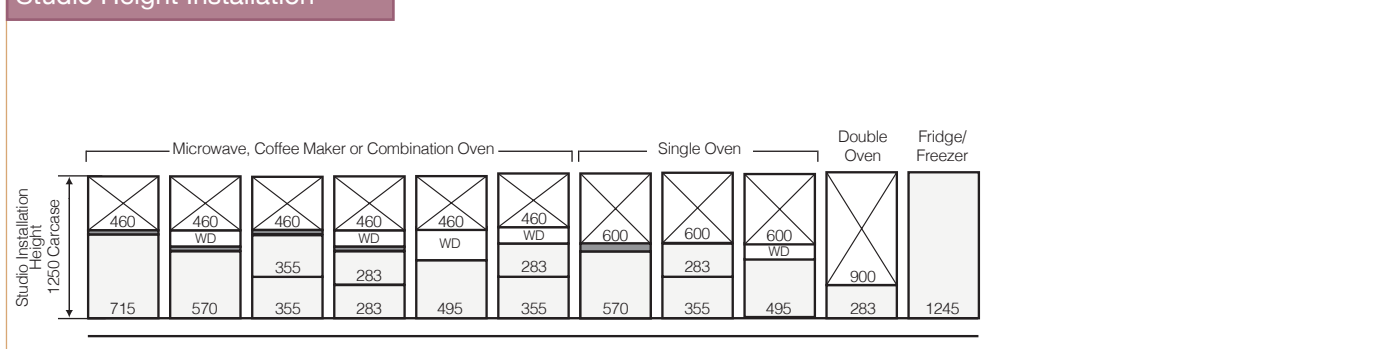
## Medium Height Installation



## Low Height Installation



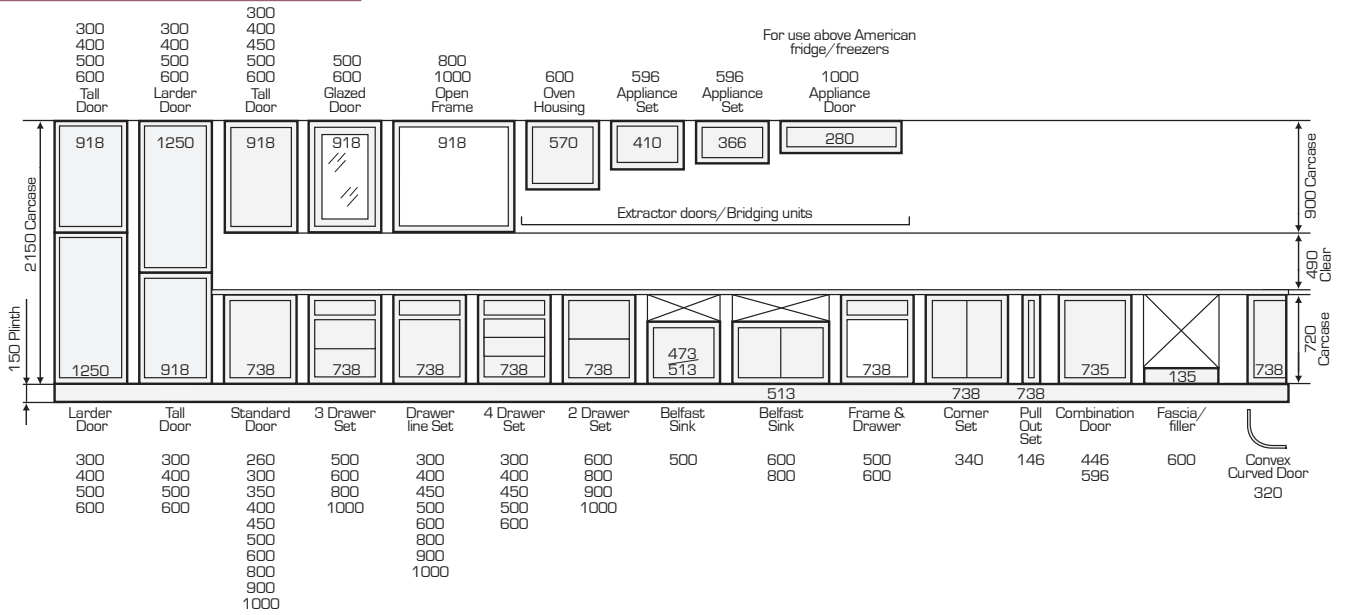
## Studio Height Installation



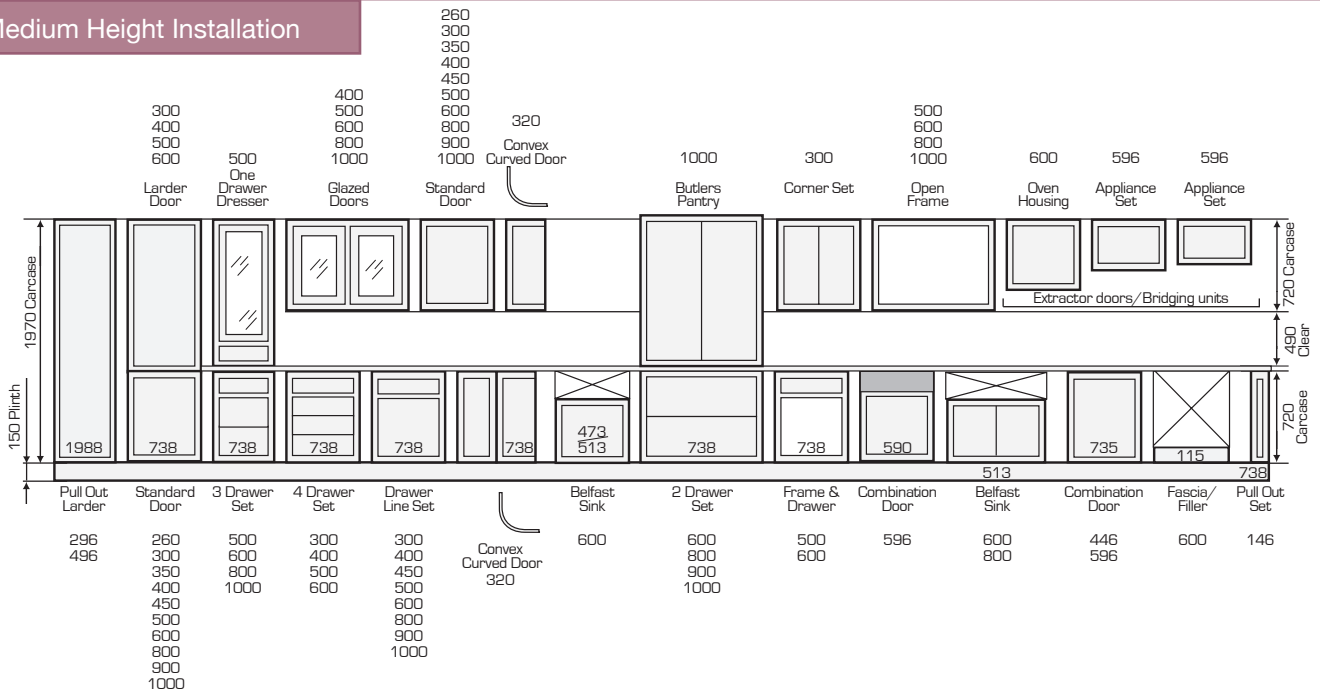
# IN-FRAME KITCHEN MATRIX

Please note that not all sizes are available in every range. We recommend referring to the individual range pages for a definitive list of sizes.

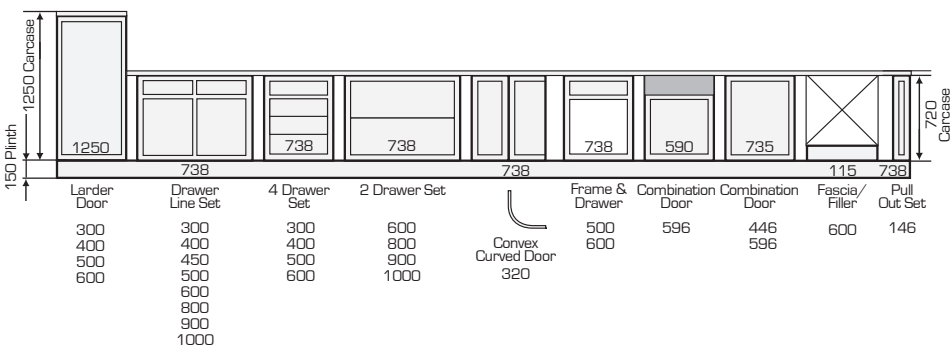
## Tall Height Installation



## Medium Height Installation



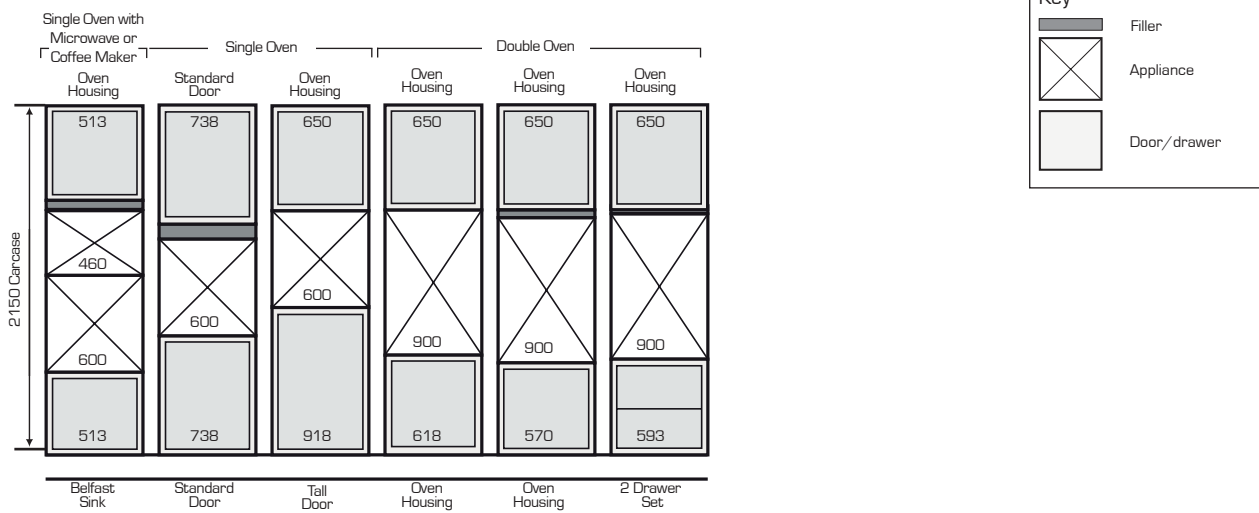
## Studio Height Installation



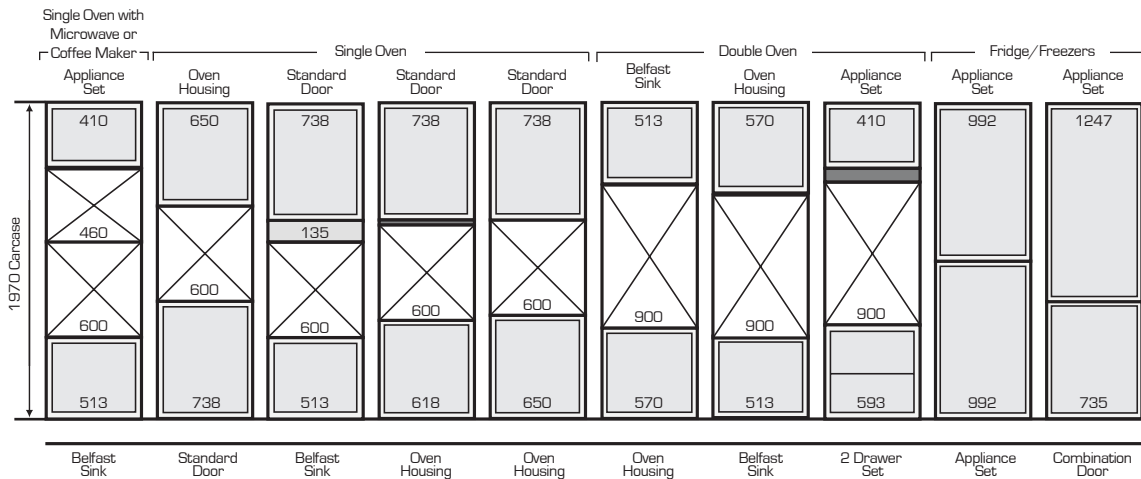
# IN-FRAME APPLIANCE MATRIX

**Please note** that not all sizes are available in every range. We recommend referring to the individual range pages for a definitive list of sizes.

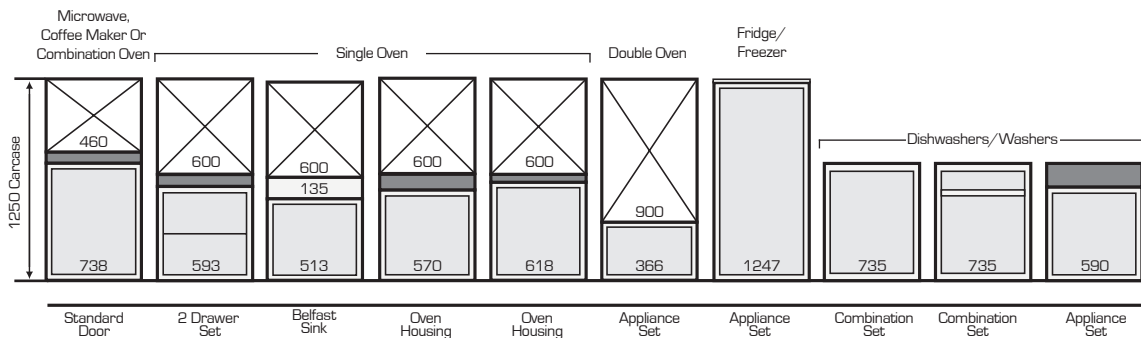
## Tall Height Installation



## Medium Height Installation



## Studio Height Installation



This matrix has been designed in coordination with the industry standard appliance width of 600mm wide.